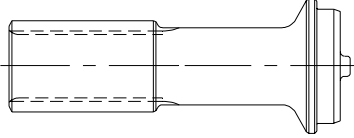
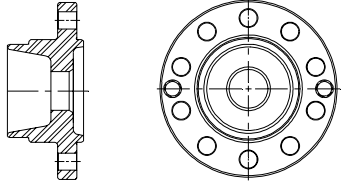
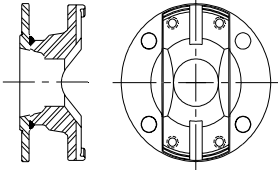
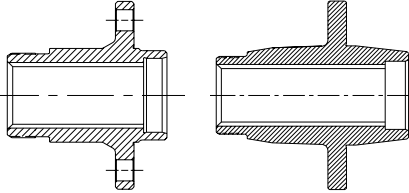
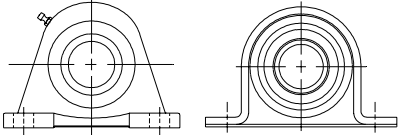
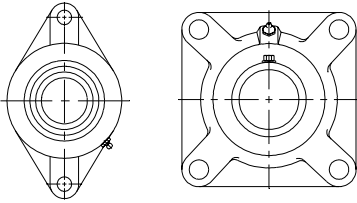
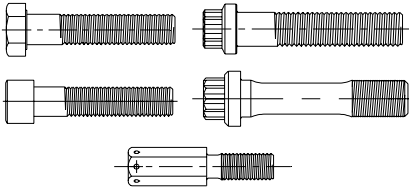
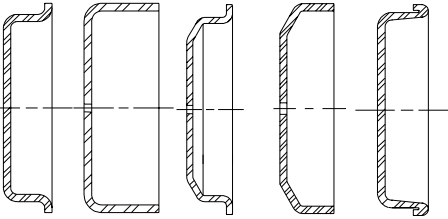
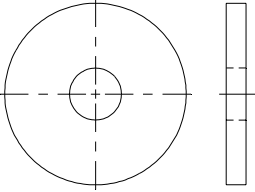
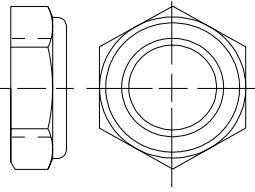
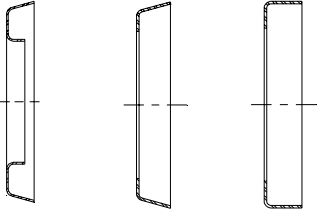
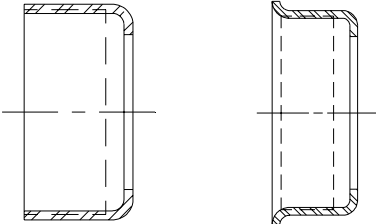
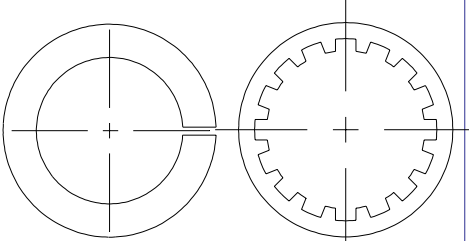
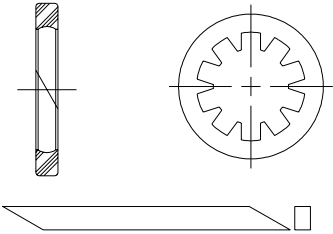
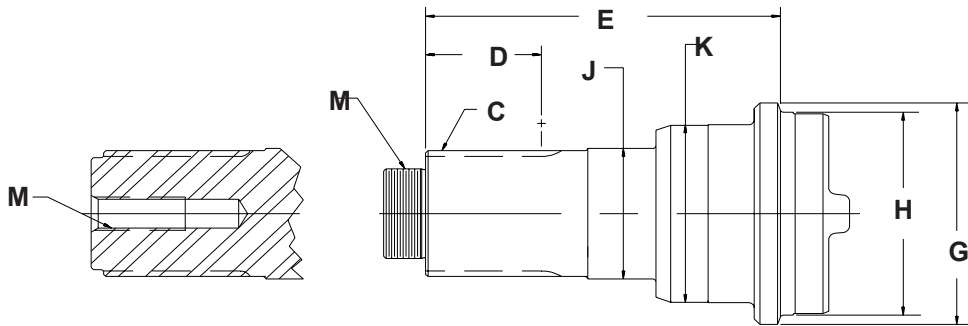
 <p><b>Permanent Stub Ends</b> Page 3</p>	 <p><b>Necked Stub Ends</b> Page 6</p>	 <p><b>Weld Flanges</b> Page 9</p>
 <p><b>Flange Yokes</b> Page 10</p>	 <p><b>Slip Sleeves</b> Page 11</p>	 <p><b>Pillow Block Bearings</b> Page 12</p>
 <p><b>Center Bearings</b> Page 12</p>	 <p><b>Bolts</b> Page 13</p>	 <p><b>Dust Cups</b> Page 15</p>
 <p><b>Flat Washers</b> Page 17</p>	 <p><b>Lock Nuts</b> Page 17</p>	 <p><b>Slings</b> Page 18</p>
 <p><b>Stuffing Caps</b> Page 19</p>	 <p><b>Seal Retainer Washers</b> Page 20</p>	 <p><b>Felt and Rubber Seals</b> Pages 21 &amp; 22</p>

NOTES

Genuine MECHANICS® Permanent Stub Ends



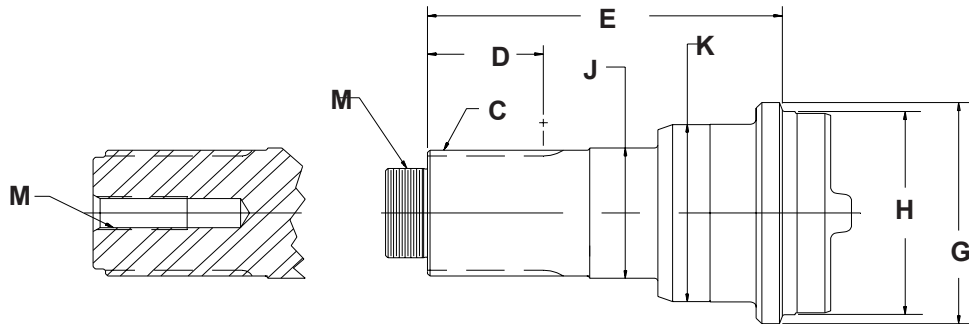
Type of Fit	
StrSide	Straight Side
FltRSide	Flat Root Side

C Spine Size	C Pressure Angle	C Type of spline Fit	H Tube Pilot		G Diameter		E Tube Press Up Length		Part Number
			inches	mm	inches	mm	inches	mm	
1 3/4" - 10	N/A	StrSide	2.82	71.6	3.00	76.2	5.06	128.5	02061802
1 3/4" - 10	N/A	StrSide	2.82	71.6	3.00	76.2	7.90	200.7	02061761
1 3/4" - 10	N/A	StrSide	3.27	83.0	3.50	88.9	6.38	162.1	02083456
16/32 - 23T Inv.	30	FltR Side	2.29	58.2	2.50	63.5	7.75	196.8	02079589
16/32 - 24T Inv.	30	FltR Side	2.63	66.9	3.00	76.2	9.82	249.4	02082949
16/32 - 27T Inv.	30	FltR Side	2.82	71.6	3.00	76.2	5.75	146.0	02078940
16/32 - 27T Inv.	30	FltR Side	2.82	71.6	3.00	76.2	7.00	177.8	02061809
16/32 - 27T Inv.	30	FltR Side	2.82	71.6	3.00	76.2	7.13	181.0	02069902
16/32 - 27T Inv.	30	FltR Side	3.27	83.1	3.50	88.9	8.00	203.2	02081216
16/32 - 27T Inv.	30	FltR Side	3.32	84.3	3.50	88.9	8.00	203.2	02085054
16/32 - 27T Inv.	30	FltR Side	3.35	85.1	3.50	88.9	6.64	168.7	02084821
16/32 - 30T Inv.	30	FltR Side	3.13	79.5	3.50	88.9	7.50	190.5	02077038
16/32 - 31T Inv.	30	FltR Side	3.13	79.5	3.50	88.9	7.25	184.1	02078793
16/32 - 31T Inv.	30	FltR Side	3.27	83.0	3.50	88.9	7.25	184.1	02061810

D Spine Length		J Diameter		K Diameter		M Thread	Part Number
inches	mm	inches	mm	inches	mm		
2.72	69.1	1.81	46.0	N/A	N/A	1" - 20	02061802
2.25	57.1	1.75	44.4	2.12	53.8	1 1/4" - 12	02061761
2.00	50.8	1.77	45.0	2.19	55.6	1 1/4" - 18	02083456
3.24	82.3	1.50	38.1	1.75	44.4	none	02079589
3.81	96.8	1.62	41.2	1.68	42.7	none	02082949
1.75	44.4	2.44	61.9	N/A	N/A	1" - 20	02078940
1.38	35.1	2.19	55.6	N/A	N/A	1" - 20	02061809
1.75	44.4	2.00	50.8	N/A	N/A	1" - 20	02069902
2.25	57.1	2.36	59.9	N/A	N/A	1" - 20	02081216
2.25	57.1	2.36	60.0	N/A	N/A	1" - 20	02085054
2.06	52.3	1.94	49.3	N/A	N/A	1" - 20	02084821
2.62	66.5	2.00	50.8	N/A	N/A	1 1/4" - 12	02077038
1.88	47.8	2.18	55.4	N/A	N/A	1 1/4" - 18	02078793
1.88	47.8	2.44	61.9	N/A	N/A	1 1/4" - 18	02061810

Data subject to change without notice.

## Genuine MECHANICS® Permanent Stub Ends



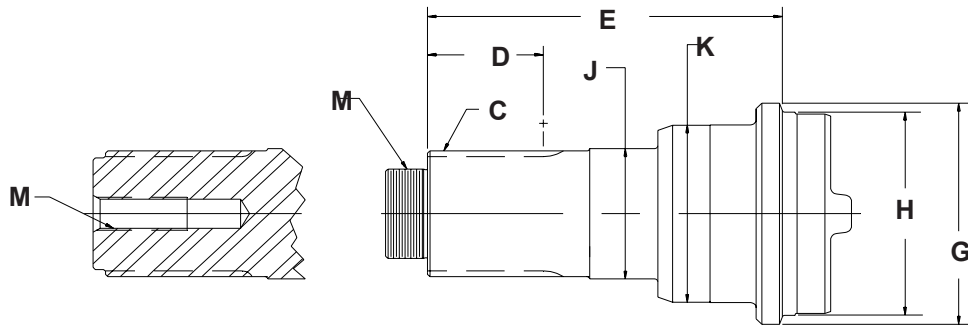
Type of Fit	
FltR Side	Flat Root Side

C Spline Size	C Pressure Angle	C Type of spline Fit	H Tube Pilot		G Diameter		E Tube Press Up Length		Part Number
			inches	mm	inches	mm	inches	mm	
16/32 - 31T Inv.	30	FltR Side	3.27	83.0	3.50	88.9	7.51	190.7	02081220
16/32 - 31T Inv.	30	FltR Side	3.63	92.3	4.00	101.6	8.88	225.4	02080851
16/32 - 36T Inv.	30	FltR Side	3.63	92.2	4.00	101.6	8.88	225.4	02071528
16/32 - 36T Inv.	30	FltR Side	3.63	92.2	4.00	101.6	9.06	230.1	02081839
16/32 - 40T Inv.	30	FltR Side	4.01	101.8	4.50	114.3	10.31	261.9	02078036
16/32 - 46T Inv.	30	FltR Side	4.25	108.1	5.00	127.0	8.39	213.1	02080285
16/32 - 46T Inv.	30	FltR Side	4.25	108.1	5.00	127.0	8.39	213.1	02080749
16/32 - 46T Inv.	30	FltR Side	4.51	114.5	5.00	127.0	8.39	213.1	02077031
16/32 - 46T Inv.	30	FltR Side	6.01	152.7	6.50	165.1	8.20	208.3	02077718
16/32 - 57T Inv.	30	FltR Side	5.76	146.3	6.50	165.1	11.19	284.2	02080269
16/32 - 57T Inv.	30	FltR Side	5.76	146.3	6.50	165.1	11.38	289.1	02076183
16/32 - 57T Inv.	30	FltR Side	5.76	146.4	6.50	165.1	11.18	284.0	02079464
16/32 - 57T Inv.	30	FltR Side	5.76	146.4	6.50	165.1	11.51	292.4	02084566
16/32 - 57T Inv.	30	FltR Side	6.01	152.7	6.50	165.1	11.18	284.0	02075482

D Spline Length		J Diameter		K Diameter		M Thread	Part Number
inches	mm	inches	mm	inches	mm		
4.53	115.1	2.36	60.0	N/A	N/A	1 1/4" - 18	02081220
2.94	74.7	2.56	65.0	2.56	65.0	1 1/4" - 18	02080851
3.13	79.4	2.69	68.3	N/A	N/A	1 1/4" - 18	02071528
2.94	74.7	3.15	80.0	N/A	N/A	1 1/4" - 18	02081839
2.69	68.3	3.00	76.2	N/A	N/A	3/4" - 16	02078036
3.19	81.0	2.95	74.9	4.00	101.6	3/4" - 10	02080285
3.19	81.0	2.95	74.9	4.02	102.1	M20 X 2.5	02080749
3.19	81.0	2.95	75.0	4.00	101.6	3/4" - 10	02077031
3.19	81.0	4.00	101.6	4.02	102.1	2" - 20	02077718
3.95	100.3	3.94	100.1	5.00	127.0	M20 X 2.5	02080269
4.03	102.4	3.81	96.8	5.00	127.0	3/4" - 16	02076183
4.03	102.4	3.81	96.9	5.00	127.0	M20 X 2.5	02079464
3.95	100.3	3.94	100.0	5.00	127.0	M20 X 2.5	02084566
4.03	102.4	3.81	96.8	5.00	127.0	3/4" - 16	02075482

Data subject to change without notice.

**Genuine MECHANICS® Permanent Stub Ends (cont.)**



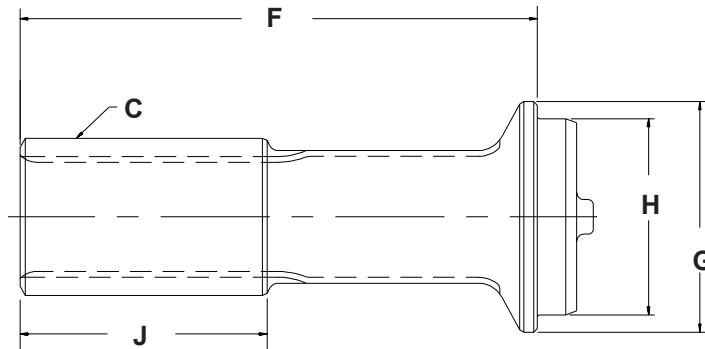
Type of Fit	
FitR Side	Flat Root Side
FitR MajD	Flat Root Major Dia.
FitR Side	Fillet Root Side

C Spline Size	C Pressure Angle	C Type of spline Fit	H Tube Pilot		G Diameter		E Tube Press Up Length		Part Number
			inches	mm	inches	mm	inches	mm	
2.5P - 20T Inv.	20	FitR MajD	2.63	66.8	3.00	76.2	8.00	203.2	02078069
2.5P - 20T Inv.	20	FitR MajD	2.82	71.6	3.00	76.2	8.00	203.2	02075164
20/40 - 46T Inv.	30	FitR Side	3.63	92.2	4.00	101.6	8.25	209.5	02078363
8/16 - 16T Inv.	30	FitR Side	2.77	70.4	3.62	91.9	7.38	187.3	02061784
8/16 - 22T Inv.	30	FitR Side	3.75	95.3	4.72	119.9	8.60	218.4	02077773
8/16 - 22T Inv.	30	FitR Side	4.01	101.9	4.50	114.3	8.70	221.0	02077437
8/16 - 22T Inv.	30	FitR Side	4.25	108.1	5.00	127.0	7.96	202.1	02075098
8/16 - 22T Inv.	30	FitR Side	4.50	114.3	4.72	119.9	8.71	221.3	02077770
8/16 - 22T Inv.	30	FitR Side	4.50	114.3	4.72	119.9	8.71	221.3	02077771

D Spline Length		J Diameter		K Diameter		M Thread	Part Number
inches	mm	inches	mm	inches	mm		
1.69	42.9	2.36	59.9	2.95	74.9	M20 X 2.5	02078069
1.69	42.9	2.36	59.9	2.95	74.9	M20 X 2.5	02075164
2.81	71.4	2.56	65.0	3.12	79.2	1/2" - 20	02078363
2.72	69.1	2.36	60.0	3.00	76.2	1/2" - 20	02061784
3.41	86.6	2.95	75.0	4.00	101.6	3/4" - 16	02077773
3.25	82.5	2.95	74.9	3.13	79.5	none	02077437
2.50	63.5	2.95	75.0	4.00	101.6	3/4" - 16	02075098
2.89	73.4	2.95	75.0	4.25	107.9	M20 X 2.5	02077770
2.89	73.4	2.95	75.0	4.25	108.1	3/4" - 16	02077771

Data subject to change without notice.

## Genuine MECHANICS® Necked Stub Ends

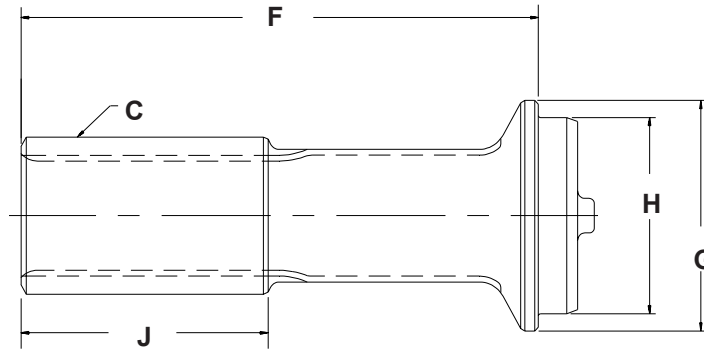


Type of Fit	
Str Side	Straight Side
involute	involute spline

C No. of Teeth	C Spline Size	C Type of Spline Fit	J Spline Length		H Tube Pilot Diameter		G Diameter		F Tube Press Up Length		Part Number
			inches	mm	inches	mm	inches	mm	inches	mm	
10	1 1/2"	StrSide	2.74	69.6	2.29	58.2	2.50	63.5	6.75	171.4	02061619
10	1 3/8"	StrSide	2.26	57.3	2.34	59.5	2.50	63.5	6.13	155.6	02061608
10	1 3/4"	StrSide	2.38	60.5	2.82	71.6	3.00	76.2	7.00	177.8	02061610
16	1.185"	StrSide	1.92	48.8	1.88	47.8	2.00	50.8	5.28	134.1	02061614
16	1.185"	involute	1.92	48.8	1.88	47.8	2.00	50.8	5.28	134.1	02061637
16	1 1/4"	StrSide	2.11	53.6	2.34	59.5	2.50	63.5	5.50	139.7	02061739
16	1 3/8"	StrSide	2.02	51.4	2.32	59.0	2.50	63.5	6.13	155.6	02061710
16	1 3/8"	StrSide	2.27	57.8	2.34	59.5	2.50	63.5	6.13	155.6	02061706
16	1 3/8"	StrSide	2.77	70.5	2.34	59.5	2.50	63.5	6.50	165.1	02061738
16	1 9/16"	StrSide	1.51	38.4	2.29	58.2	2.50	63.5	8.62	218.9	02072296
16	1 9/16"	StrSide	2.76	70.2	2.29	58.2	2.50	63.5	6.38	161.9	02061729
16	1 9/16"	StrSide	2.76	70.2	2.29	58.2	2.50	63.5	7.00	177.8	02061744
16	1 9/16"	StrSide	2.76	70.2	2.29	58.2	2.50	63.5	7.38	187.3	02077104
16	1 9/16"	StrSide	2.76	70.2	2.50	63.5	2.29	58.2	7.38	187.3	02085513
16	1 3/4"	involute	2.38	60.5	3.32	84.4	3.50	88.9	7.65	194.3	02085364
16	1 3/4"	StrSide	2.77	70.3	2.63	66.9	3.00	76.2	8.25	209.5	02073037
16	1 3/4"	StrSide	2.77	70.3	2.63	66.9	3.00	76.2	7.00	177.8	02080256
16	1 3/4"	StrSide	2.77	70.3	2.63	66.9	3.00	76.2	7.00	177.8	02081165
16	1 3/4"	StrSide	2.77	70.3	2.82	71.6	3.00	76.2	9.75	247.6	02061745
16	1 3/4"	StrSide	2.77	70.3	2.82	71.6	3.00	76.2	7.00	177.8	02061746
16	1 3/4"	StrSide	2.77	70.3	2.82	71.6	3.00	76.2	7.00	177.8	02080237
16	1 3/4"	StrSide	2.77	70.3	2.82	71.6	3.00	76.2	9.75	247.6	02080255
16	1 3/4"	StrSide	2.77	70.4	2.82	71.6	3.00	76.2	7.00	177.8	02061725
16	1 3/4"	StrSide	2.77	70.4	2.82	71.6	3.00	76.2	9.75	247.6	02061747
16	1 3/4"	StrSide	3.77	95.7	2.63	66.9	3.00	76.2	9.75	247.6	02080252
16	1 3/4"	StrSide	3.77	95.7	2.82	71.6	3.00	76.2	9.75	247.6	02080253
16	1 3/4"	StrSide	3.77	95.8	2.63	66.8	3.00	76.2	9.75	247.6	02076495
16	1 3/4"	StrSide	4.02	102.1	2.82	71.6	3.00	76.2	9.75	247.6	02061756
16	1.98"	StrSide	3.74	95.0	3.27	83.1	3.50	88.9	11.00	279.4	02072560

Data subject to change without notice.

**Genuine MECHANICS® Necked Stub Ends (cont.)**

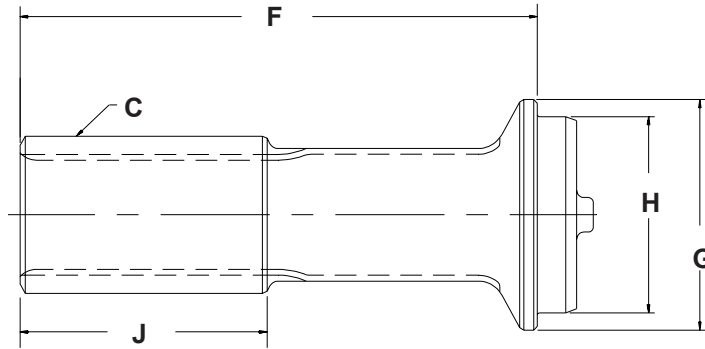


Type of Fit	
Str Side involute	Straight Side involute line

C No. of Teeth	C Spline Size	C Type of Spline Fit	J Spline Length		H Tube Pilot Diameter		G Diameter		F Tube Press Up Length		Part Number
			inches	mm	inches	mm	inches	mm	inches	mm	
16	2"	StrSide	3.72	94.5	3.27	83.0	3.50	88.9	8.50	215.9	02061641
16	2"	StrSide	3.72	94.5	3.32	84.3	3.50	88.9	8.50	215.9	02061640
16	2"	StrSide	3.74	95.1	3.27	83.0	3.50	88.9	8.50	215.9	02061723
16	2"	StrSide	3.74	95.1	3.27	83.0	3.50	88.9	8.50	215.9	02061726
16	2"	StrSide	3.74	95.1	3.27	83.0	3.50	88.9	11.00	279.4	02070825
16	2"	StrSide	3.74	95.1	3.27	83.0	3.50	88.9	8.50	215.9	02074130
16	2"	StrSide	3.74	95.1	3.27	83.0	3.50	88.9	9.50	241.3	02075216
16	2"	StrSide	4.74	120.5	3.13	79.6	3.50	88.9	11.00	279.4	02076498
16	2 1/2"	StrSide	4.22	107.1	3.63	92.3	4.00	101.6	10.00	254.0	02061737
16	2 1/2"	StrSide	4.22	107.2	3.63	92.2	4.00	101.6	12.00	304.8	02071669
16	2 1/2"	StrSide	4.22	107.2	3.63	92.2	4.00	101.6	12.00	304.8	02072567
16	2 1/2"	StrSide	4.22	107.2	3.63	92.3	4.00	101.6	10.00	254.0	02061752
16	3"	StrSide	4.20	106.7	4.01	101.9	4.50	114.3	12.00	304.8	02061733
16	3"	StrSide	5.04	128.0	3.01	76.5	3.50	88.9	10.88	276.4	02061627
16	3"	StrSide	5.08	129.0	3.96	100.6	4.50	114.3	11.88	301.8	02072127
16	3"	StrSide	5.08	129.0	4.01	101.9	4.50	114.3	11.19	284.2	02061716
16	3"	StrSide	5.43	137.9	3.75	95.4	4.50	114.3	11.00	279.4	02077576
16	3"	StrSide	5.43	137.9	4.01	101.8	4.50	114.3	10.98	278.8	02080685
16	3"	StrSide	5.43	137.9	4.01	101.9	4.50	114.3	11.00	279.4	02077436
16	3"	StrSide	5.43	137.9	4.01	101.9	4.50	114.3	11.00	279.4	02077664
16	3"	StrSide	6.43	163.3	3.75	95.3	4.50	114.3	12.69	322.3	02084858
20	1.75"	involute	4.62	117.3	2.29	58.2	2.50	63.5	7.00	177.8	02084783
20	1.75"	involute	6.75	171.4	3.35	85.0	3.50	88.9	9.41	239.0	02083841
26	2.25"	involute	5.79	147.1	3.27	83.0	3.50	88.9	8.63	219.1	02083812
26	2.25"	involute	6.00	152.4	3.32	84.3	3.40	86.4	8.50	215.9	02084790
32	3.40"	involute	5.65	143.5	4.25	107.9	5.00	127.0	12.43	315.7	02079981
32	3.40"	involute	5.65	143.5	4.50	114.3	5.00	127.0	12.00	304.8	02079618
37	3.88"	involute	7.50	190.5	5.51	140.0	6.50	165.1	14.19	360.3	02084190
37	3.88"	involute	7.50	190.5	5.76	146.3	6.50	165.1	14.19	360.4	02079467

Data subject to change without notice.

## Genuine MECHANICS® Necked Stub Ends (cont.)

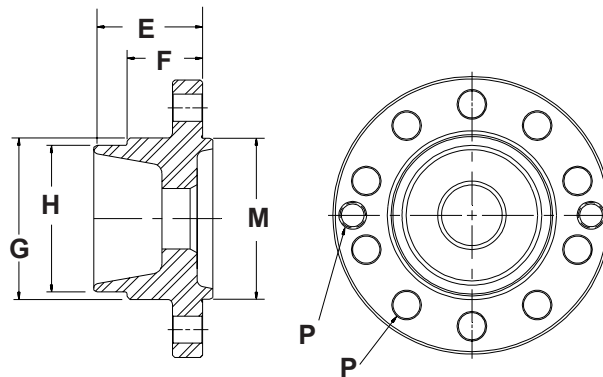


Type of Fit	
Str Side involute	Straight Side involute spline

C No. of Teeth	C Spline Size	C Type of Spline Fit	J Spline Length		H Tube Pilot Diameter		G Diameter		F Tube Press Up Length		Part Number
			inches	mm	inches	mm	inches	mm	inches	mm	
37	3.88"	involute	9.25	234.9	5.00	127.0	5.75	146.0	12.97	329.3	02084678
37	3.90"	involute	6.12	155.4	5.51	140.0	6.50	165.1	14.18	360.2	02077795
37	3.90"	involute	6.12	155.4	5.76	146.3	6.50	165.1	14.18	360.2	02076182
37	3.90"	involute	6.13	155.7	6.00	152.4	6.50	165.1	14.19	360.4	02076945

*Data subject to change without notice.*

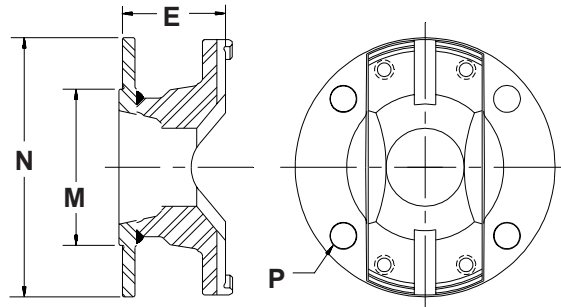
**Genuine MECHANICS® Weld Flanges**



E Length		F Length		G Diameter		P Mounting Holes		H Diameter		M Diameter		Part Number
inches	mm	inches	mm	inches	mm	Qty.	Size (inches/thread)	inches	mm	inches	mm	
2.31	58.7	1.56	39.6	2.50	63.5	6	.55 dia.	2.289	58.2	3.123	79.3	02079194
2.38	60.5	1.88	47.6	3.50	88.9	8	.53 dia.	3.268	83.0	3.749	95.2	02085159
2.38	60.5	1.88	47.6	3.50	88.9	2	M16 X 2.00 thd.	3.268	83.0	3.998	101.5	02078735
						10	.67 dia.					
2.38	60.5	1.88	47.6	3.50	88.9	2	M16 X 2.00 thd.	3.268	83.0	3.998	101.5	02074314
						6	.67 dia.					
2.62	66.5	1.88	47.6	4.00	101.6	2	M16 X 2.00 thd.	3.633	92.3	3.998	101.5	02084907
						10	.67 dia.					
4.00	101.6	2.28	57.9	6.50	165.1	12	0.708	6.011	152.7	7.476	189.9	02078402

*Data subject to change without notice.*

## Genuine MECHANICS® Flange Yokes

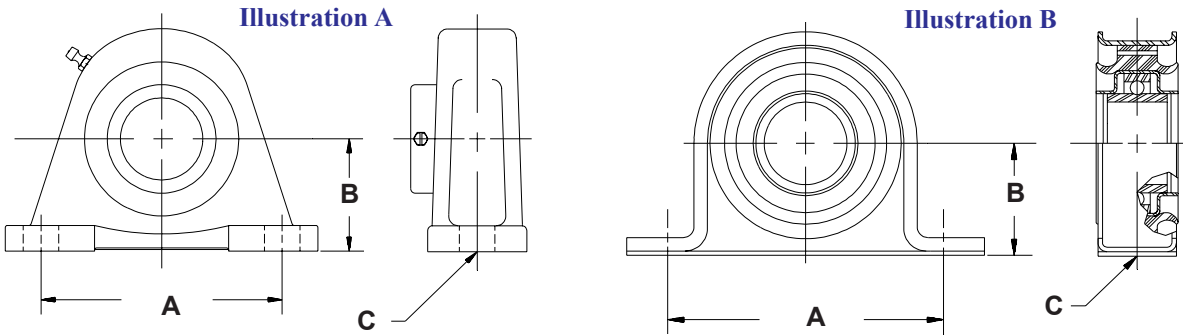


	E Length		N Diameter		M Diameter		P			Part Number
	inches	mm	inches	mm	inches	mm	No. of Holes	Hole Size		
								inches	mm	
<b>3C</b>	1.75	44.4	2.75	69.8	2.518	63.96	4	.41 dia.	10.4 dia.	02072258
<b>4C</b>	1.18	30.0	4.56	115.9	2.749	69.83	4	.45 dia.	11.4 dia.	03067567
<b>4C</b>	1.81	46.0	4.56	115.9	2.749	69.82	4	.45 dia.	11.4 dia.	02072203
<b>5C</b>	1.88	47.6	4.56	115.8	2.749	69.83	4	.45 dia.	11.4 dia.	02064640
<b>5C</b>	2.00	50.8	6.19	157.2	N/A	N/A	none	N/A	N/A	02064644
<b>6C</b>	1.38	34.9	5.81	147.6	2.498	63.45	6	1/2 - 20 thd.	-	02075042
<b>6C</b>	2.25	57.1	5.81	147.6	3.749	95.22	4	.51 dia.	13.0 dia.	02074486
<b>6C</b>	2.25	57.1	6.88	174.6	6.624	168.25	8	.38 dia.	9.7 dia.	02072469
<b>7C</b>	1.56	39.7	8.00	203.2	7.748	196.80	8	.41 dia.	10.4 dia.	02064652
<b>7C</b>	2.00	50.8	5.57	141.5	3.748	95.20	4	.51 dia.	13.0 dia.	02078951
<b>7C</b>	2.56	65.1	8.12	206.2	N/A	N/A	none	N/A	N/A	03067591

Data subject to change without notice.



## Pillow Block Bearings

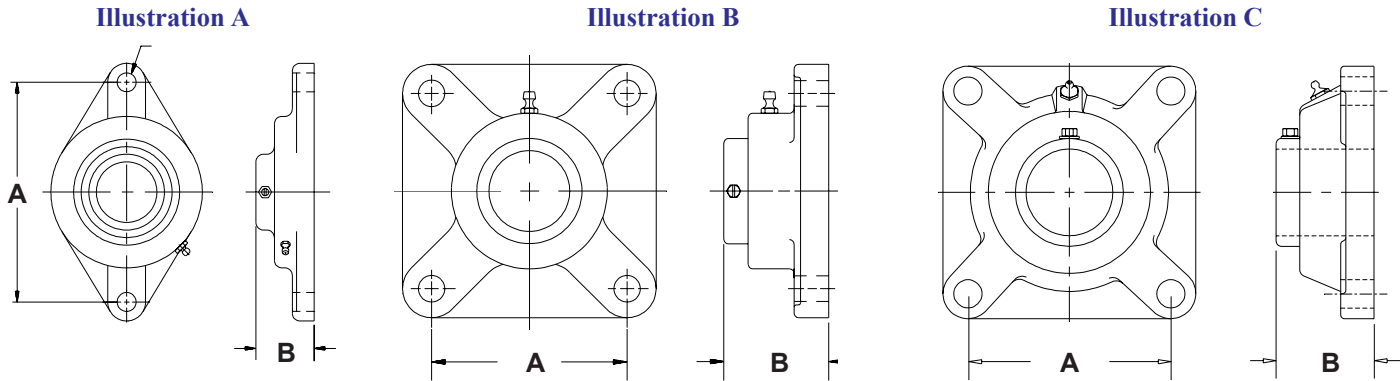


For Shaft Diameter		A Slot/Hole Length		B Length		C Slot Size	Remarks	Part Number*	Illustration
inches	mm	inches	mm	inches	mm				
1.771	44.98	7.62	193.5	2.69	68.3	.56" dia.	Rubber element-type	02083453	B
2.000	50.80	8.25	209.5	2.44	62.0			02077017	A
2.438	61.93	7.53	191.3	2.69	68.3	.69" X 1.31"	Has half dog setscrew and jam nut	02074102	A
2.688	68.28	6.91	175.5	3.00	76.2	for .75 dia. bolt	Has half dog setscrew and jam nut	02077177	A

Data subject to change without notice.

\* NOTE: Bearing manufacturer's warranty applies. Not warranted by Rockford Powertrain, Inc.

## Center Bearings



For Shaft Diameter		A Length		B Length		Remarks	Part Number*	Illustration
inches	mm	inches	mm	inches	mm			
1.937	49.2	4.38	111.1	2.31	58.7	zinc plated	02084819	C
1.937	49.2	4.38	111.1	2.31	58.7		02085100	C
2.000	50.8	7.25	184.1	1.92	48.8	gr. fitting	02074582	A
2.000	50.8	7.25	184.1	1.92	48.8		02078138	A
2.000	50.8	7.25	184.1	2.31	58.7	gr. fitting	02069903	A
2.188	55.6	5.12	130.0	2.47	62.7		02083411	C
2.438	61.9	5.62	142.7	2.09	53.1		02074282	B
2.438	61.9	5.62	142.7	2.69	68.3		02060657	B
2.688	68.3	5.88	149.4	3.00	76.2		02071741	B

All center bearings have setscrew locking to shaft.

Data subject to change without notice.

\* NOTE: Bearing manufacturer's warranty applies. Not warranted by Rockford Powertrain, Inc.

Genuine MECHANICS® Bolts

Illustration A

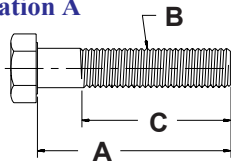


Illustration B

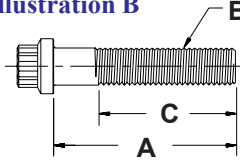


Illustration C

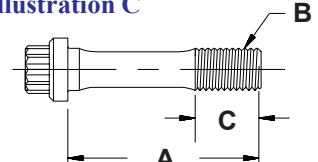


Illustration D

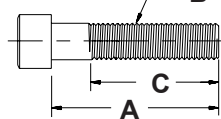
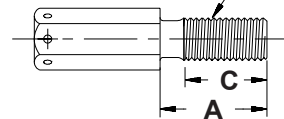


Illustration E



Bolt Type	A Length		B Thread	C Length (minimum)		Part Number	Hardness	Remarks	Illustration
	inches	mm		inches	mm				
Hex Head	0.61	15.5	5/16-24 thd.	0.50	12.7	02078370	SAE GR 8		A
Hex Head	0.74	18.8	5/16-24 thd.	0.65	16.5	02073158	SAE GR 8	holes for tie wire	A
Hex Head	0.75	19.0	5/16-24 thd.	0.62	15.7	02060987	SAE GR 8		A
Hex Head	0.88	22.4	5/16-24 thd.	0.75	19.0	02060984	SAE GR 8		A
Hex Head	1.00	25.4	3/8-24 thd.	0.90	22.9	02073149	SAE GR 8	holes for tie wire	A
Hex Head	1.00	25.4	3/8-24 thd.	0.88	22.4	02060980	SAE GR 8		A
Hex Head	1.03	26.2	1/4-20 thd.	0.75	19.0	02061017	60k	holes for tie wire	A
Hex Head	1.06	26.9	7/16-20 thd.	0.94	23.9	02060981	SAE GR 8		A
Hex Head	1.24	31.5	7/16-20 thd.	1.12	28.4	02060996	SAE GR 8		A
Hex Head	1.36	34.5	1/2-20 thd.	1.12	28.4	02061020	SAE GR 8		A
Hex Head	1.38	35.1	5/16-24 thd.	0.75	19.0	02061078	SAE GR 8		A
Hex Head	1.57	39.9	M8 X 1.25 thd.	0.87	22.1	02075692	ISO 10.9		A
Hex Head	1.61	40.9	3/8-24 thd.	1.00	25.4	02060983	SAE GR 8		A
Hex Head	1.74	44.2	3/8-24 thd.	1.00	25.4	02061025	SAE GR 8		A
Hex Head	1.77	45.0	M10 X 1.25 thd.	0.80	20.3	02078599	ISO 10.9		A
Hex Head	1.77	45.0	M10 X 1.50 thd.	1.02	25.9	02076692	ISO 10.9		A
Hex Head	1.97	50.0	M10 X 1.50 thd.	1.02	25.9	02080222	ISO 10.9		A
Hex Head	2.00	50.8	1/2-20 thd.	1.25	31.8	02061026	SAE GR 8		A
Hex Head	2.00	50.8	3/8-24 thd.	1.00	25.4	02061028	SAE GR 8		A
Hex Head	2.11	53.6	1/2-20 thd.	1.25	31.8	02061032	SAE GR 8		A
Hex Head	2.11	53.6	3/8-24 thd.	1.00	25.4	02061030	SAE GR 8		A
Hex Head	2.16	54.9	M12 X 1.50 thd.	0.87	22.1	02078477	ISO 10.9		A
Hex Head	2.17	55.1	M12 X 1.75 thd.	1.18	30.0	02079381	ISO 10.9		A
Hex Head	2.25	57.1	1/2-20 thd.	1.25	31.8	02061023	SAE GR 8		A
Hex Head	2.25	57.1	3/8-24 thd.	1.00	25.4	02061034	SAE GR 8		A
Hex Head	2.31	58.7	7/16-20 thd.	1.00	25.4	02061016	SAE GR 8		A
Hex Head	2.36	59.9	M12 X 1.50 thd.	0.87	22.1	02078478	ISO 10.9		A
Hex Head	2.36	59.9	M12 X 1.75 thd.	1.18	30.0	02082461	ISO 10.9		A
Hex Head	2.38	60.5	1/2-20 thd.	1.25	31.8	02061029	SAE GR 8		A
Hex Head	2.50	63.5	3/8-24 thd.	1.00	25.4	02061074	SAE GR 8		A

Data subject to change without notice.

## Genuine MECHANICS® Bolts

Illustration A

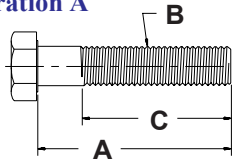


Illustration B

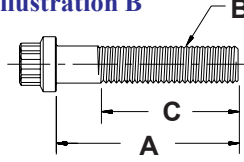


Illustration C

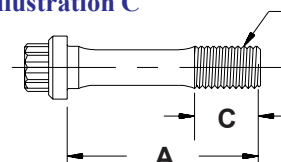


Illustration D

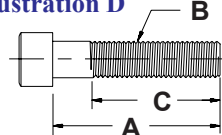
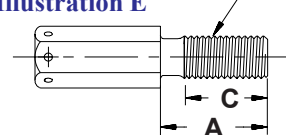


Illustration E



Bolt Type	A Length		B Thread	C Length (minimum)		Part Number	Hardness	Remarks	Illustration
	inches	mm		inches	mm				
Hex Head	2.75	69.8	1/2-20 thd.	1.25	31.8	02061036	SAE GR 8		A
Hex Head	2.76	70.1	M14 X 1.50 thd.	0.90	22.9	02079024	ISO 10.9		A
Hex Head	3.00	76.2	1/2-20 thd.	1.25	31.8	02061058	SAE GR 8		A
Hex Head	3.15	80.0	M14 X 1.50 thd.	1.34	34.0	02080344	ISO 10.9		A
Hex Head	3.15	80.0	M14 X 2.00 thd.	1.50	38.1	02076956	ISO 10.9		A
Hex Head	3.15	80.0	M16 X 2.00 thd.	1.50	38.1	02074613	ISO 10.9		A
Hex Head	3.25	82.5	5/8-18 thd.	1.50	38.1	02061075	SAE GR 8		A
Hex Head	1.49	37.8	5/16-24 thd.	0.88	22.4	02061010	SAE GR 8		A
Ferry Head	0.74	18.8	5/16-24 thd.	0.68	17.3	02061044	SAE GR 8		B
Ferry Head	0.75	19.0	5/16-24 thd.	0.75	19.0	02075497	SAE GR 8		B
Ferry Head	0.88	22.4	5/16-24 thd.	0.81	20.6	02061069	SAE GR 8		B
Ferry Head	1.02	25.9	3/8-24 thd.	1.00	25.4	02061057	SAE GR 8		B
Ferry Head	1.25	31.8	1/2-20 thd.	1.16	29.5	02061053	150k		B
Ferry Head	1.47	37.3	5/16-24 thd.	1.12	28.4	02061049	SAE GR 8		B
Ferry Head	1.62	41.1	5/16-24 thd.	0.88	22.4	02061050	SAE GR 8		B
Ferry Head	1.98	50.3	3/8-24 thd.	1.00	25.4	02061070	SAE GR 8		B
Ferry Head	2.00	50.8	5/8-18 thd.	1.50	38.1	02061079	SAE GR 8		B
Ferry Head	2.19	55.6	3/8-24 thd.	1.00	25.4	02061051	SAE GR 8		B
Ferry Head	2.25	57.1	1/2-20 thd.	0.75	19.0	02076619	CAT 1E2360		C
Ferry Head	2.29	58.1	1/2-20 thd.	0.77	19.5	02071747	SAE GR 8		B
Ferry Head	2.36	59.9	M12 X 1.75 thd.	1.42	36.1	02084971	N/A		B
Ferry Head	2.47	62.7	1/2-20 thd.	0.81	20.6	02074569	CAT 1E2360		C
Ferry Head	2.69	68.3	7/16-20 thd.	1.16	29.5	02061052	170k		B
Ferry Head	3.22	81.8	5/8-18 thd.	1.38	35.1	02072424	170k		B
Ferry Head	3.47	88.1	3/4-16 thd.	1.25	31.8	02073405	CAT 1E2360		C
Ferry Head	3.50	88.9	3/4-16 thd.	1.25	31.8	02077219	CAT 1E2360		B
Ferry Head	3.54	89.9	M20 X 2.50 thd.	2.05	52.1	02076818	ISO 10.9		B
Allen Head	1.31	33.3	1/2-20 thd.	1.00	25.4	02061009	172k	holes for tie wire	D
Hex Spec.	1.25	31.8	1/2-20 thd.	0.97	24.6	02061019	172k	holes for tie wire	E

Data subject to change without notice.

Genuine MECHANICS® Dust Cups

Illustration A

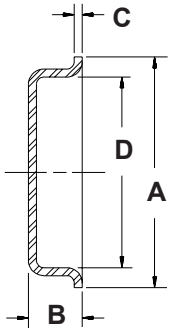


Illustration B

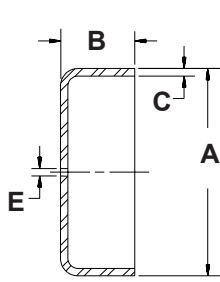


Illustration C

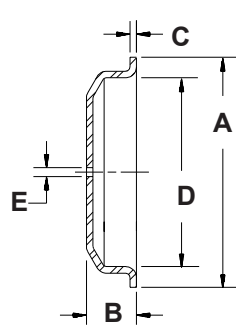


Illustration D

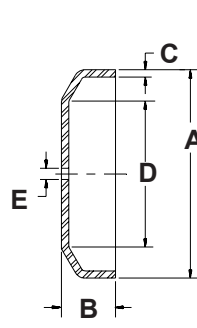


Illustration E

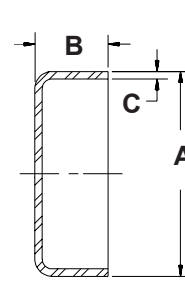
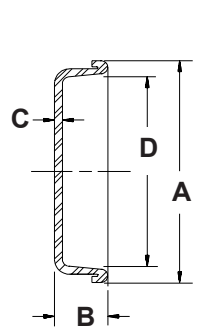


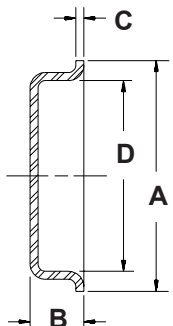
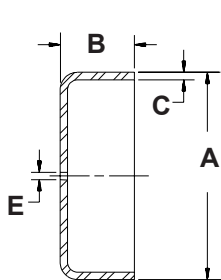
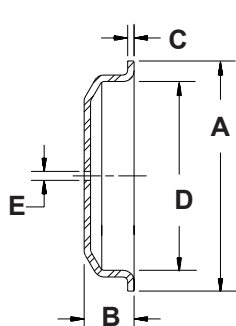
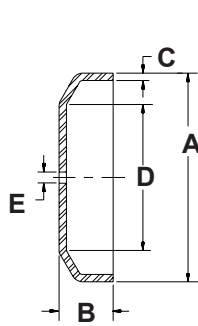
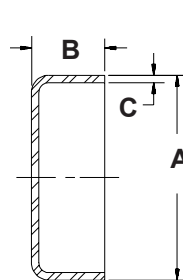
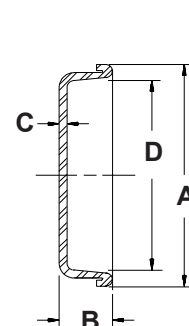
Illustration F



A Diameter		B Length		C Thickness		D Diameter		E Bleed Hole		Part Number	Illustration
inches	mm	inches	mm	inches	mm	inches	mm	inches/thread	mm		
1.32	33.5	0.35	8.9	0.049	1.2	-	-	none	N/A	02076092	B
1.32	33.5	0.47	11.9	0.049	1.2	-	-	none	N/A	02060760	B
1.41	35.8	0.62	15.7	0.065	1.7	-	-	0.06	1.5 dia.	02060755	B
1.56	39.5	0.41	10.4	0.065	1.7	-	-	none	N/A	02060808	B
1.57	39.9	0.28	7.1	0.065	1.7	-	-	0.06	1.5 dia.	02060815	B
1.57	39.9	0.34	8.6	0.065	1.7	-	-	none	N/A	02076458	B
1.57	39.9	0.69	17.5	0.065	1.7	-	-	none	N/A	02060757	B
1.69	42.9	0.75	19.0	0.065	1.7	-	-	none	N/A	02060753	B
1.69	42.9	0.75	19.0	0.065	1.7	-	-	.12 dia.	3.0 dia.	02060801	B
1.75	44.4	0.50	12.7	0.065	1.7	-	-	1/8 npt thd.	N/A	02077420	A
1.76	44.7	0.50	12.7	0.065	1.7	-	-	0.06	1.5 dia.	02060814	B
1.88	47.8	0.44	11.1	0.065	1.7	1.560	39.62	none	N/A	02060763	A
1.97	50.0	0.50	12.7	0.083	2.1	-	-	none	N/A	02077020	B
1.98	50.3	0.50	12.7	0.083	2.1	-	-	.12 dia.	3.0 dia.	02060785	B
1.98	50.3	0.50	12.7	0.078	2.0	-	-	1/8 npt thd.	N/A	02072545	D
1.98	50.3	0.81	20.6	0.078	2.0	-	-	.12 dia.	3.0 dia.	02060794	B
1.98	50.3	0.82	20.8	0.070	1.8	-	-	none	N/A	02060758	B
1.98	50.3	1.00	25.4	0.083	2.1	-	-	.12 dia.	3.0 dia.	02060820	B
2.06	52.3	0.50	12.7	0.090	2.3	1.820	46.23	none	N/A	02084104	F
2.12	53.8	0.41	10.3	0.078	2.0	1.790	45.47	none	N/A	02060764	A
2.18	55.4	0.44	11.2	0.078	2.0	1.790	45.47	none	N/A	02060780	A
2.18	55.4	0.44	11.2	0.080	2.0	1.790	45.47	.12 dia.	3.0 dia.	02075178	A
2.23	56.6	0.50	12.7	0.078	2.0	-	-	.12 dia.	3.0 dia.	02060783	D
2.23	56.6	0.75	19.0	0.078	2.0	-	-	none	N/A	02060754	B
2.24	56.9	0.50	12.7	0.060	1.5	1.820	46.23	none	N/A	02077454	A
2.26	57.4	0.53	13.5	0.060	1.5	1.950	49.53	none	N/A	02060810	A
2.31	58.7	0.41	10.4	0.078	2.0	1.810	45.97	.12 dia.	3.0 dia.	02060795	C
2.44	62.0	0.44	11.1	0.049	1.2	2.040	51.82	none	N/A	02060805	A
2.46	62.5	0.53	13.5	0.065	1.7	2.140	54.36	none	N/A	02073725	A
2.50	63.5	0.62	15.7	0.060	1.5	2.070	52.58	none	N/A	02076846	C

Data subject to change without notice.

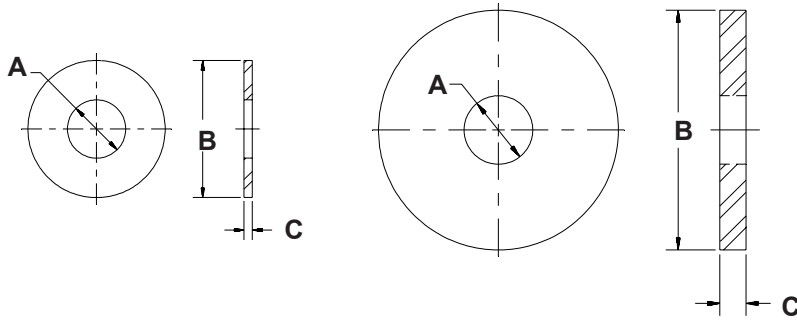
## Genuine MECHANICS® Dust Cups

**Illustration A**

**Illustration B**

**Illustration C**

**Illustration D**

**Illustration E**

**Illustration F**


A Diameter		B Length		C Thickness		D Diameter		E Bleed Hole		Part Number	Illustration
inches	mm	inches	mm	inches	mm	inches	mm	inches/thread	mm		
2.50	63.5	0.62	15.7	0.060	1.5	2.070	52.58	1/8 npt thd.	N/A	02077421	C
2.56	65.0	0.50	12.7	0.090	2.3	2.320	58.93	none	N/A	02084126	F
2.76	70.1	0.69	17.5	0.090	2.3	-	-	none	N/A	02077327	B
2.76	70.1	0.78	19.8	0.090	2.3	-	-	.12 dia.	3.0 dia.	02060816	B
2.76	70.1	1.00	25.4	0.090	2.3	-	-	none	N/A	02060756	B
3.12	79.2	0.59	15.0	0.094	2.4	2.560	65.02	.12 dia.	3.0 dia.	02060777	C
3.12	79.2	0.59	15.0	0.094	2.4	2.560	65.02	none	N/A	02076119	C
3.12	79.2	0.74	18.8	0.083	2.1	2.570	65.28	none	N/A	02073845	A
3.31	84.1	0.50	12.7	0.090	2.3	3.070	77.98	none	N/A	02084183	F
3.32	84.3	1.00	25.4	0.125	3.2	-	-	1/8 npt thd.	N/A	02060807	B
3.32	84.3	1.19	30.2	0.120	3.0	-	-	.12 dia.	3.0 dia.	02060766	B
3.32	84.3	1.19	30.2	0.125	3.2	-	-	1/8 npt thd.	N/A	02060796	B
3.32	84.3	1.19	30.2	0.120	3.0	-	-	none	N/A	02075773	B
3.71	94.2	0.50	12.7	0.090	2.3	3.470	88.14	none	N/A	02084184	F
3.74	95.0	1.05	26.7	0.083	2.1	3.000	76.20	none	N/A	02076897	A
3.75	95.3	0.61	15.5	0.089	2.3	3.010	76.45	none	N/A	02084386	A
3.85	97.8	0.74	18.8	0.075	1.9	2.910	73.91	none	N/A	02084714	A
3.99	101.3	0.61	15.5	0.094	2.4	3.410	86.61	none	N/A	02076764	C
4.24	107.7	0.61	15.5	0.094	2.4	3.410	86.61	none	N/A	02081881	C
4.51	114.6	0.75	19.0	0.160	4.1	-	-	1/8 npt thd.	N/A	02073400	B
4.51	114.6	0.75	19.0	0.160	4.1	-	-	1/8 npt thd.	N/A	02084099	B
4.87	123.7	0.96	24.4	0.083	2.1	3.890	98.81	none	N/A	02076914	A

Data subject to change without notice.

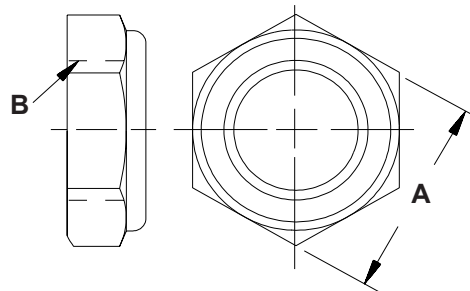
**Genuine MECHANICS® Flat Washers**



A Hole Diameter		B Outside Diameter		C Thickness		Part Number
inches	mm	inches	mm	inches	mm	
0.41	10.4	0.62	15.7	0.08	2.0	02063295
0.52	13.1	0.88	22.2	0.13	3.2	02072572
0.54	13.7	0.80	20.3	0.08	2.0	02063294
0.54	13.7	0.88	22.4	0.12	3.0	02072678
0.78	19.8	3.12	79.2	0.63	16.0	02078039
1.00	25.4	2.75	69.8	0.38	9.7	02078584
1.00	25.4	3.50	88.9	0.38	9.7	02077334
1.06	26.9	2.00	50.8	0.21	5.3	02070059
1.06	26.9	2.50	63.5	0.15	3.9	02063293
1.06	26.9	2.88	73.2	0.21	5.3	02077354
1.31	33.3	2.50	63.5	0.15	3.8	02063296

Data subject to change without notice.

**Genuine MECHANICS® Lock Nuts**



A Outside Flats		B Thread Size	Part Number
inches	mm		
1.434	36.42	1"-20 thd.	02060885
1.973	50.11	1 1/4"-18 thd.	02060886

Data subject to change without notice.

## Genuine MECHANICS® Slings

Illustration A

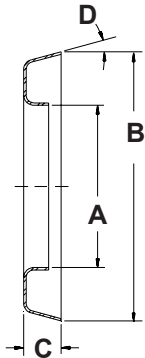


Illustration B

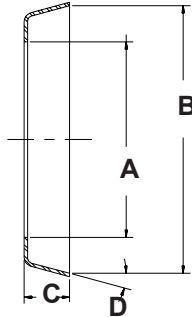
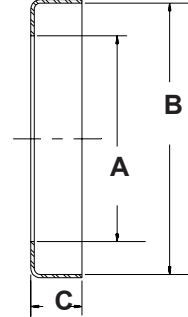


Illustration C



A Diameter		B Diameter		C Length		D Angle	Part Number	Illustration
inches	mm	inches	mm	inches	mm	Degrees		
2.93	74.4	N/A	N/A	1.50	38.1	10	02075070	A
3.00	76.2	5.00	127.0	0.97	24.6	N/A	02061202	C
3.26	82.8	5.41	137.4	0.75	19.0	15	02061208	A
4.00	101.6	6.65	168.9	1.10	27.9	-	02080878	A
4.00	101.6	6.51	165.4	1.50	38.1	-	02080882	A
4.00	101.6	6.51	165.4	1.50	38.1	-	02085326	A
4.24	107.7	6.33	160.8	1.38	35.1	15	02077093	A
4.25	107.9	-	-	0.81	20.6	15	02077635	A
4.74	120.4	6.33	160.8	0.79	20.1	15	02078155	B
4.74	120.4	6.50	165.1	1.10	27.9	15	02077042	B
4.74	120.4	6.25	158.8	1.18	30.0	N/A	02077756	C
5.83	148.1	8.17	207.5	1.65	41.9	15	02076915	A
5.83	148.1	8.28	210.3	1.85	47.0	15	02078271	A
5.98	151.9	8.03	203.8	1.24	31.5	-	02079473	A
5.98	151.9	8.25	209.5	1.65	41.9	-	02084622	A

*Data subject to change without notice.*

**Genuine MECHANICS® Stuffing Caps**

Illustration A

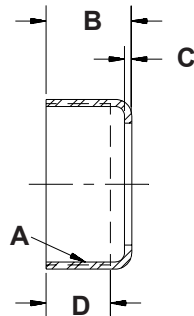


Illustration B

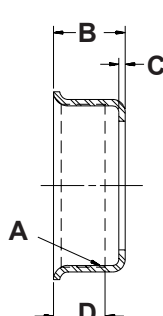
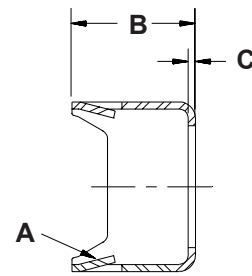


Illustration C



A Thread size or Tabs	B Length		C Thickness		D Thread Length		Part Number	Illustration
	inches	mm	inches	mm	inches	mm		
1.50" I.D. with tabs	0.97	24.64	0.042	1.07	n/a	n/a	02060729	C
1.625"-20 thread	0.75	19.05	0.083	2.11	0.50	12.70	02060725	A
1.875"-20 thread	1.00	25.40	0.083	2.11	0.75	19.05	02060722	A
2.000"-20 thread	1.00	25.40	0.083	2.11	0.75	19.05	02069723	A
2.250"-20 thread	1.08	27.43	0.083	2.11	0.81	20.57	02060724	A
2.500"-20 thread	1.10	27.94	0.083	2.11	0.81	20.57	02060726	A
3.125"-20 thread	1.39	35.31	0.125	3.17	1.00	25.40	02060728	B
3.750"-20 thread	1.69	42.93	0.156	3.96	1.12	28.45	02060734	B
4.250"-20 thread	1.12	28.45	0.156	3.96	0.62	15.75	02060742	B
4.750"-20 thread	1.81	45.97	0.156	3.96	1.21	30.73	02073398	B

*Data subject to change without notice.*

## Genuine MECHANICS® Seal Retainer Washers

Illustration A

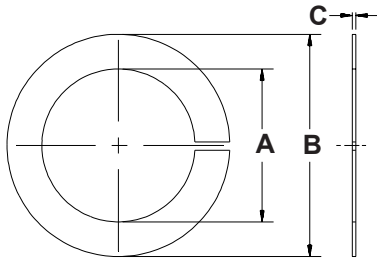
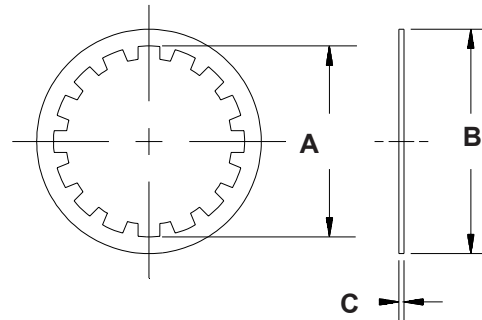


Illustration B



A Diameter		B Diameter		C Thickness		Part Number	Illustration
inches	mm	inches	mm	inches	mm		
1.03	26.2	1.40	36.5	0.032	0.81	02063245	A
1.04	26.3	1.38	34.9	0.032	0.81	02063252	A
1.08	27.4	1.44	36.5	0.032	0.81	02069807	A
1.13	28.6	1.56	39.7	0.032	0.81	02063311	A
1.14	29.0	1.44	36.6	0.032	0.81	02063284	A
1.20	30.5	1.56	39.6	0.032	0.81	02063283	A
1.26	32.0	1.88	47.8	0.032	0.81	02063242	A
1.41	35.8	1.88	47.8	0.032	0.81	02063280	A
1.44	36.5	2.13	54.0	0.039	0.99	02063243	A
1.56	39.6	2.12	53.8	0.049	1.24	02063313	A
1.63	41.3	2.25	57.1	0.049	1.24	02063246	A
2.09	53.2	3.00	76.2	0.049	1.24	02063265	A
2.19	55.6	2.88	73.2	0.049	1.24	02063278	A
2.41	61.1	3.50	88.9	0.058	1.47	02063261	A
2.62	66.5	3.50	88.9	0.058	1.47	02063282	A
2.89	73.4	4.06	103.1	0.059	1.50	02063279	A
3.46	87.8	4.63	117.5	0.065	1.65	02073397	A

A Diameter		B Spline Major Diameter		C Thickness		Part Number	Illustration
inches	mm	inches	mm	inches	mm		
1.69	42.9	1.39	35.3	0.035	0.9	02063310	B
1.84	46.8	1.52	38.5	0.049	1.2	02063312	B
2.09	53.2	1.78	45.2	0.049	1.2	02063268	B
2.09	53.2	1.77	44.9	0.049	1.2	02063248	B
2.25	57.1	2.03	51.6	0.049	1.2	02069964	B
2.34	59.5	2.02	51.2	0.049	1.2	02063249	B
2.88	73.0	2.52	63.9	0.049	1.2	02060736	B
3.00	76.2	2.53	64.3	0.049	1.2	02063266	B

*Data subject to change without notice.*

**Genuine MECHANICS® Felt Seals**

Illustration A

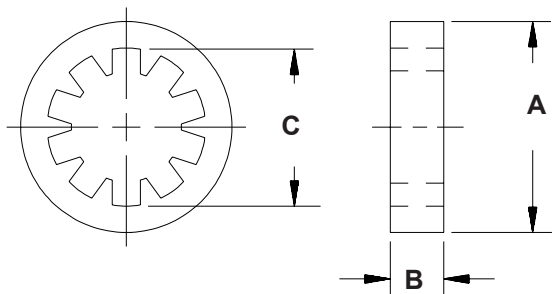
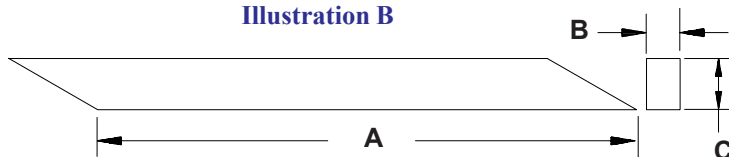


Illustration B

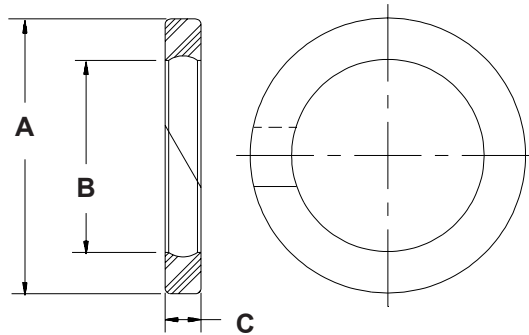


A Diameter		B Thickness		C Spline Major Diameter		Part Number	Illustration
inches	mm	inches	mm	inches	mm		
1.49	37.8	0.39	9.9	1.13	28.7	02063244	A
1.75	44.4	0.31	7.9	1.25	31.8	02061089	A
1.88	47.8	0.50	12.7	1.44	36.6	02061121	A
2.39	60.7	0.49	12.4	1.94	49.3	02061087	A

A Length (new)		B Thickness (new)		C Height (new)		Part Number	Illustration
inches	mm	inches	mm	inches	mm		
4.00	101.6	0.25	6.3	0.38	9.7	02071331	B
4.12	104.6	0.30	7.6	0.36	9.1	02061134	B
4.19	106.4	0.27	6.9	0.36	9.1	02061136	B
4.75	120.6	0.38	9.7	0.44	11.2	02061132	B
5.12	130.0	0.40	10.2	0.50	12.7	02061131	B
5.69	144.5	0.36	9.1	0.50	12.7	02061127	B
6.00	152.4	0.40	10.2	0.50	12.7	02061133	B
6.19	157.2	0.42	10.7	0.50	12.7	02061135	B
6.56	166.6	0.41	10.4	0.47	11.9	02061125	B
8.31	211.1	0.55	14.0	0.62	15.7	02061122	B
9.50	241.3	0.62	15.7	0.62	15.7	02061124	B

Data subject to change without notice.

## Genuine MECHANICS® Rubber Seals



A Diameter		B Diameter		C Thickness		Part Number
inches	mm	inches	mm	inches	mm	
1.92	48.8	1.34	34.0	0.25	6.3	02077079
2.17	55.1	1.78	45.2	0.06	1.6	02061099
2.17	55.1	1.52	38.6	0.25	6.3	02070354
2.18	55.4	1.50	38.1	0.25	6.3	02071371
2.43	61.7	1.68	42.7	0.25	6.3	02070781
3.06	77.7	2.13	54.1	0.25	6.3	02072711
3.68	93.5	2.59	65.8	0.25	6.3	02061145
4.21	106.9	2.87	72.9	0.25	6.3	02061106
4.68	118.9	3.43	87.1	0.38	9.7	02073396

*Data subject to change without notice.*