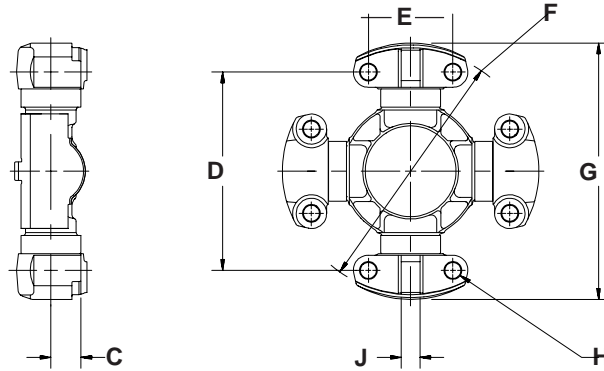


How to determine the size of a MECHANICS® C-Type U-Joint



JOINT SIZE	C	D	E	F	G	H	J
2C	.52	2.34	1.31	3.12	3.34	5/16-24	.38
3C	.61	2.75	1.44	3.56	3.81	5/16-24	.38
4C	.61	3.44	1.44	4.25	4.50	5/16-24	.38
5C	.69	3.50	1.69	4.53	4.78	3/8-24	.56
6C	.69	4.50	1.69	5.53	5.84	3/8-24	.56
7C	.81	4.62	1.94	5.84	6.22	1/2-20	.62
8C	.81	6.88	1.94	8.12	8.50	1/2-20	.62
8.5C	1.00	4.88	2.81	6.50	6.88	1/2-20	.62
9C	1.00	6.62	2.81	8.25	8.62	1/2-20	.62
9.5C	1.12	6.62	2.81	8.25	8.62	1/2-20	.62
10C	1.28	6.50	3.62	8.38	8.88	5/8-18	1.00
10C/10.5C	1.34	6.80	3.50	8.75	9.12	5/8-18	1.00
11C	1.58	6.80	3.50	8.75	9.25	3/4-16	1.00
12C	1.28	9.50	3.62	11.38	11.88	M14x2-6H	1.00
15C	1.50	7.87	3.94	10.23	10.75	3/4-16	1.25

Data subject to change without notice.

* Extended Life Design