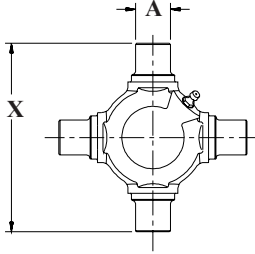
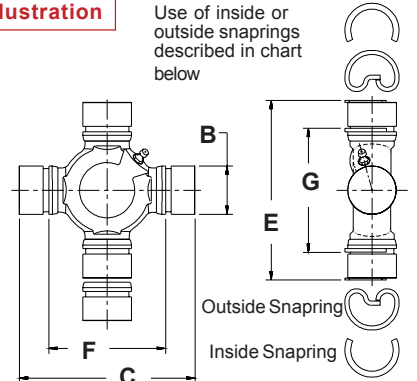
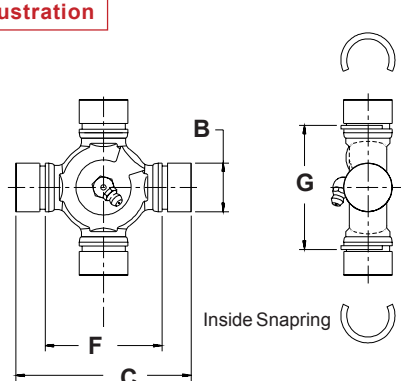
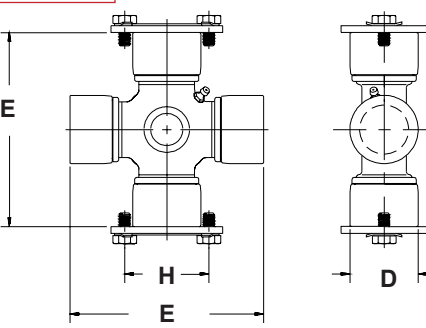


MECHANICS® Round Bearing Type U-Joint Typical Configurations

	<p>Illustration 1</p> <p>Use of inside or outside snaprings described in chart below</p> 	<p>Illustration 2</p> 
<p>Description of U-Joints:</p> <p>Illustration 1 4 Round Bearings (grease fitting in side of spider)</p> <p>Illustration 2 4 Round Bearings (grease fitting in side of spider)</p> <p>Illustration 3 2 Round Bearings 2 Round Bearings with bolt plates</p> <p>Illustration 4 4 Round Bearings with bolt plates</p>	<p>Illustration 3</p> 	<p>Illustration 4</p> 