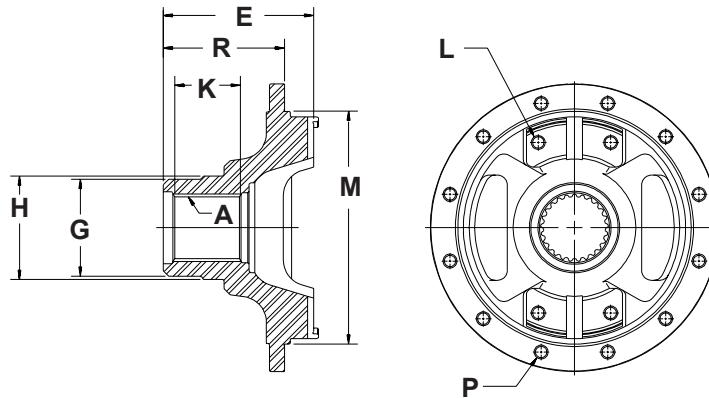


Genuine MECHANICS® Brake Yokes



Type of Fit	
FltR Side	Flat Root Side
FilR Side	Fillet Root Side

A Spline Size	A Pressure Angle	A Type of Spline Fit	K Spline Length		G Hub Diameter		H Shoulder Diameter		Part Number
			inches	mm	inches	mm	inches	mm	
9C									
10/20 - 25T Inv.	30	FltR Side	3.33	84.6	4.00	101.5	4.02	102.1	02078008
16/32 49T Inv.	30	FilR Side	3.32	84.3	4.02	102.1	n/a	n/a	02079844
8/16 - 22T Inv.	30	FilR Side	3.70	94.0	4.25	107.9	4.27	108.5	02077541
8/16 - 22T Inv.	30	FilR Side	3.72	94.5	4.25	107.9	4.27	108.5	02077224
8/16 - 22T Inv.	30	FilR Side	3.72	94.5	4.25	107.9	4.27	108.5	02085203

E Overall Length		R Length to Pilot Face		M Pilot Diameter		P Flange Holes		L Mounting Holes	Part Number
inches	mm	inches	mm	inches	mm	qty.	size		
9C									
5.83	148.1	4.71	119.5	9.05	229.8	12	1/2" - 13 thd.	1/2 - 20 thd.	02078008
5.82	147.8	4.70	119.4	9.05	229.9	12	1/2" - 13 thd.	1/2 - 20 thd.	02079844
6.76	171.8	5.58	141.8	8.77	222.9	8	1/2" - 13 thd.	1/2 - 20 thd.	02077541
6.76	171.8	5.58	141.8	8.77	222.9	12	M12 X 1.75 thd.	M12 X 1.75 thd.	02077224
6.76	171.8	5.58	141.8	8.77	222.9	12	M12 X 1.75 thd.	M12 X 1.75 thd.	02085203

Data subject to change without notice.