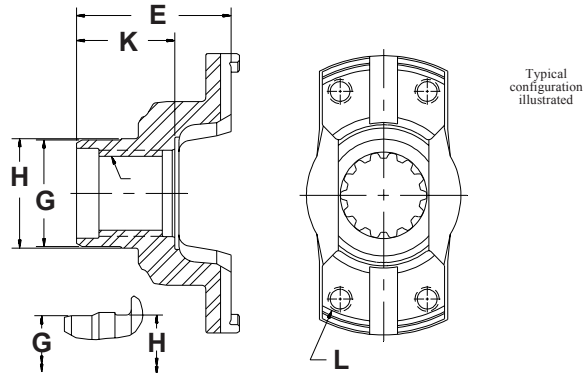


Genuine MECHANICS® Fitting Yokes



Type of Fit	
StrSide	Straight Side
Involute	Involute Spline

A No. of Teeth	A Spline Major Dia. (nominal)	A Type of Spline Fit	E Overall Length		K Length		G Hub Diameter		H Shoulder Diameter		L Mounting Hole	Part Number
			inches	mm	inches	mm	inches	mm	inches	mm		
11C												
57	3.63"	Involute	6.25	158.8	4.00	101.6	5.00	127.0	5.84	148.3	M20 X 2.5 thd.	02076841
57	3.63"	Involute	6.25	158.8	4.00	101.6	5.00	127.0	5.84	148.3	M20 X 2.5 thd.	02080293
15C												
57	3.63"	Involute	6.25	158.8	4.00	101.6	5.00	127.0	6.00	152.4	M20 X 2.5 thd.	02076850
57	3.63"	Involute	6.25	158.8	4.00	101.6	5.00	127.0	6.00	152.4	3/4" -16 thd.	02080337
57	3.63"	Involute	6.25	158.8	4.00	101.6	5.00	127.0	6.00	152.4	M20 X 2.5 thd.	02080323

Data subject to change without notice.