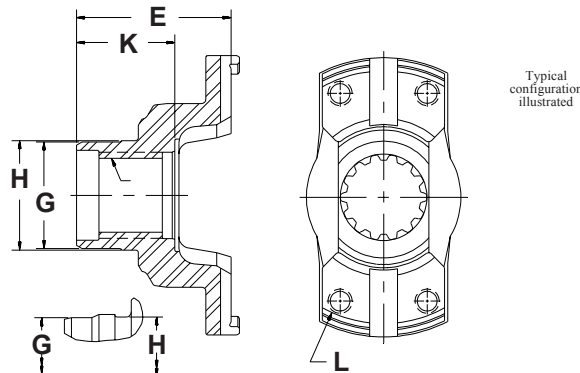


Genuine MECHANICS® Fitting Yokes

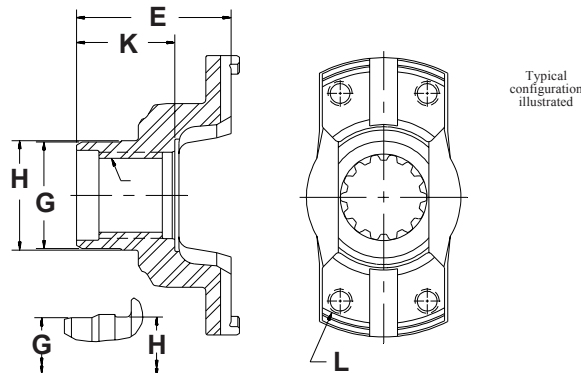


Type of Fit	
StrSide	Straight Side
Involute	Involute Spline

A No. of Teeth	A Spline Major Dia. (nominal)	A Type of Spline Fit	E Overall Length		K Length		G Hub Diameter		H Shoulder Diameter		L Mounting Hole	Part Number
			inches	mm	inches	mm	inches	mm	inches	mm		
10	1.75"	StrSide	3.48	88.4	2.23	56.6	2.56	65.0	N/A	N/A	M12 X 1.75 thd.	02079442
10	1.75"	StrSide	3.50	88.9	2.25	57.1	2.19	55.6	2.56	65.1	1/2" - 20 thd.	02083455
10	1.75"	StrSide	3.50	88.9	2.25	57.1	2.62	66.5	N/A	N/A	15/32" dia.	02064430
10	1.96"	StrSide	3.50	88.9	2.25	57.1	2.94	74.6	3.00	76.2	1/2" - 20 thd.	02064066
10	1.96"	StrSide	3.92	99.6	2.75	69.8	2.75	69.8	2.84	72.1	15/32" dia.	02064086
10	2.25"	StrSide	3.38	85.9	2.06	52.3	3.13	79.5	N/A	N/A	1/2" - 20 thd.	02064545
10	2.25"	StrSide	4.19	106.4	2.99	75.9	2.94	74.7	N/A	N/A	1/2" - 20 thd.	02064418
10	2.25"	StrSide	4.19	106.4	2.94	74.7	3.12	79.2	N/A	N/A	1/2" - 20 thd.	02064528
10	2.50"	StrSide	3.94	100.1	2.69	68.3	3.25	82.5	4.09	103.9	1/2" - 20 thd.	02077363
10	2.50"	StrSide	4.75	120.6	3.00	76.2	2.94	74.7	3.75	95.3	1/2" - 20 thd.	02064253
14	1.91"	Involute	3.44	87.3	2.19	55.6	2.37	60.3	2.44	61.9	1/2" - 20 thd.	02064084
15	2.00"	Involute	3.44	87.4	2.39	60.7	2.37	60.2	N/A	N/A	1/2" - 20 thd.	02064350
15	2.00"	Involute	3.63	92.2	2.72	69.1	2.56	65.0	2.75	69.8	15/32" dia.	02064344
15	2.00"	Involute	3.63	92.2	2.71	68.8	2.62	66.5	2.75	69.8	15/32" dia.	02064343
16	2.148"	StrSide	3.75	95.3	2.50	63.5	2.94	74.7	3.00	76.2	15/32" dia.	02063952
16	2.148"	StrSide	4.25	107.9	3.00	76.2	2.94	74.7	3.00	76.2	1/2" - 20 thd.	02064451
16	2.148"	StrSide	4.25	107.9	3.00	76.2	2.94	74.7	3.00	76.2	15/32" dia.	02064208
16	2.148"	StrSide	4.25	107.9	3.00	76.2	2.94	74.7	3.00	76.2	1/2" - 20 thd.	02079877
16	2.17"	Involute	2.00	50.8	1.50	38.1	2.62	66.5	N/A	N/A	1/2" - 20 thd.	02019866
16	2.17"	Involute	2.25	57.1	1.72	43.7	2.62	66.5	N/A	N/A	1/2" - 20 thd.	02025299
17	2.28"	Involute	4.38	111.3	2.47	62.7	3.00	76.2	N/A	N/A	1/2" - 20 thd.	02064412
20	1.75"	Involute	3.31	84.1	snapping groove		2.62	66.5	N/A	N/A	1/2" - 20 thd.	02078210
24	2.50"	Involute	3.56	90.4	2.56	65.0	3.25	82.5	N/A	N/A	1/2" - 20 thd.	02064232
27	2.81"	Involute	3.75	95.3	2.50	63.5	3.62	91.9	4.12	104.6	17/32" dia.	02064334
30	1.94"	Involute	3.31	84.1	2.00	50.8	3.00	76.2	3.29	83.5	1/2" - 20 thd.	02077176
30	1.94"	Involute	4.38	111.3	snapping groove		3.20	81.3	N/A	N/A	1/2" - 20 thd.	02076983
30	1.94"	Involute	6.46	164.1	2.77	70.4	2.83	71.9	3.35	85.1	1/2" - 20 thd.	02079828
30	1.99"	Involute	3.50	88.9	snapping groove		2.75	69.8	N/A	N/A	1/2" - 20 thd.	02064507
30	1.99"	Involute	5.47	138.9	3.70	94.0	2.50	63.5	N/A	N/A	15/32" dia.	02064362
30	1.99"	Involute	6.09	154.7	4.18	106.2	2.50	63.5	N/A	N/A	15/32" dia.	02073688

Data subject to change without notice.

Genuine MECHANICS® Fitting Yokes



Type of Fit	
StrSide	Straight Side
Involute	Involute Spline

A No. of Teeth	A Spline Major Dia. (nominal)	A Type of Spline Fit	E Overall Length		K Length		G Hub Diameter		H Shoulder Diameter		L Mounting Hole	Part Number
			inches	mm	inches	mm	inches	mm	inches	mm		
31	2.02"	Involute	3.38	85.7	2.13	54.0	2.63	66.7	N/A	N/A	1/2" - 20 thd.	02064381
31	2.02"	Involute	3.50	88.9	2.00	50.8	2.94	74.7	N/A	N/A	M12 X 1.75 thd.	02079237
31	2.02"	Involute	3.50	88.9	2.00	50.8	3.00	76.2	N/A	N/A	1/2" - 20 thd.	02064546
31	2.02"	Involute	3.69	93.7	2.00	50.8	2.94	74.7	N/A	N/A	M12 X 1.75 thd.	02079450
31	2.02"	Involute	4.22	107.1	2.83	72.0	2.75	69.9	3.00	76.3	1/2" - 20 thd.	02080718
33	2.13"	Involute	3.17	80.5	2.37	60.2	20 teeth	3.25	82.5	n/a	1/2" - 20 thd.	02079371
34	1.79"	Involute	3.50	88.9	2.25	57.1	3.12	79.2	N/A	N/A	1/2" - 20 thd.	02078761
34	1.79"	Involute	4.33	110.0	2.44	62.0	2.62	66.6	3.00	76.2	1/2" - 20 thd.	02080813
36	2.31"	Involute	3.06	77.8	2.23	56.8	3.00	76.2	N/A	N/A	1/2" - 20 thd.	02083235
36	2.31"	Involute	3.06	77.8	2.23	56.8	3.00	76.2	N/A	N/A	1/2" - 20 thd.	2083236
36	2.34"	Involute	3.81	96.8	2.56	65.0	3.25	82.5	N/A	N/A	1/2" - 20 thd.	02072568
39	2.04"	Involute	3.46	87.9	2.17	55.0	2.62	66.6	3.00	76.2	1/2" - 20 thd.	02080797
39	2.04"	Involute	3.50	88.9	2.25	57.1	2.63	66.7	N/A	N/A	1/2" - 20 thd.	02077662
41	2.14"	Involute	4.38	111.1	2.50	63.5	3.00	76.3	N/A	N/A	1/2" - 20 thd.	02076869
41	2.67"	Involute	3.49	88.7	2.24	57.0	3.25	82.5	3.95	100.3	M12 X 1.75 thd.	02084521
41	2.67"	Involute	4.25	107.9	2.91	73.9	3.50	88.9	N/A	N/A	M12 X 1.75 thd.	02084524
	1 1/4" dia. hole	N/A	4.25	107.9	3.00	76.2	3.50	88.9	3.75	95.3	15/32" dia.	02063838
	Tapered Hole	N/A	3.09	78.6	1.82	46.2	3.13	79.4	N/A	N/A	1/2" - 20 thd.	02064517
	Tapered Hole	N/A	3.50	88.9	2.25	57.1	2.75	69.8	N/A	N/A	1/2" - 20 thd.	02064359

Data subject to change without notice.