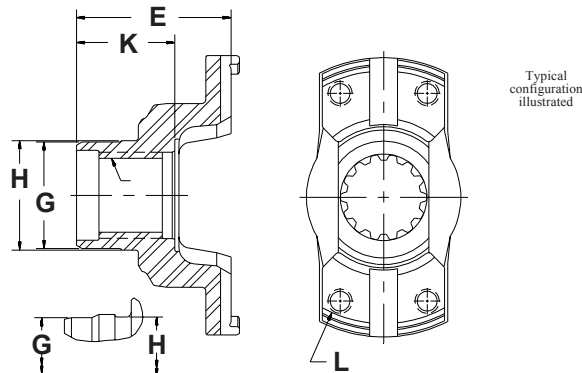


8.5C

MECHANICS® Driveline Components

Genuine MECHANICS® Fitting Yokes



Type of Fit	
StrSide	Straight Side
Involute	Involute Spline

A No. of Teeth	A Spline Major Dia. (nominal)	A Type of Spline Fit	E Overall Length		K Length		G Hub Diameter		H Shoulder Diameter		L Mounting Hole	Part Number
			inches	mm	inches	mm	inches	mm	inches	mm		
10	2.50"	StrSide	3.94	100.0	2.69	68.3	3.25	82.5	N/A	N/A	1/2" - 20 thd.	02077341
15	2.00"	Involute	4.17	105.9	2.64	67.1	3.00	76.2	N/A	N/A	1/2" - 20 thd.	02064635
16	2.17"	Involute	3.10	78.7	1.72	43.7	2.62	66.5	N/A	N/A	1/2" - 20 thd.	02025380
31	2.03"	Involute	4.75	120.6	3.25	82.5	3.31	84.1	N/A	N/A	1/2" - 20 thd.	02080856
36	2.34"	Involute	4.75	120.6	3.25	82.5	3.31	84.1	N/A	N/A	1/2" - 20 thd.	02071529
36	2.34"	Involute	4.75	120.6	3.25	82.5	3.31	84.1	N/A	N/A	M12 X 1.75 thd.	02083291
36	2.34"	Involute	4.75	120.6	3.25	82.5	3.88	98.5	N/A	N/A	1/2" - 20 thd.	02083263
41	2.67"	Involute	3.75	95.3	2.25	57.1	3.50	88.9	N/A	N/A	M12 X 1.75 thd.	02083279
46	2.37"	Involute	4.71	119.6	3.21	81.5	3.00	76.2	3.13	79.5	1/2" - 20 thd.	02079797
46	2.37"	Involute	5.28	134.1	3.39	86.1	3.00	76.2	3.13	79.5	1/2" - 20 thd.	02079836
	Tapered Hole	N/A	4.31	109.5	2.52	64.0	3.75	95.3	N/A	N/A	1/2" - 20 thd.	02084503

Data subject to change without notice.