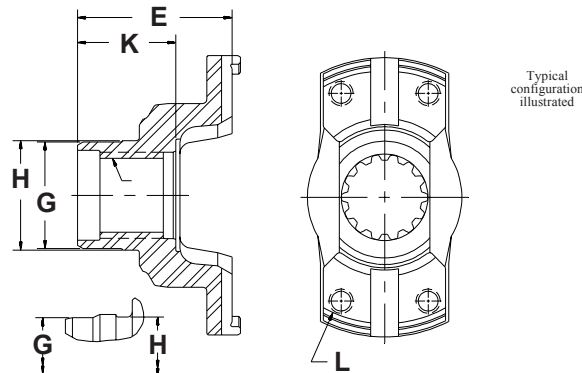


Genuine MECHANICS® Fitting Yokes



Type of Fit	
StrSide	Straight Side
Involute	Involute Spline

A No. of Teeth	A Spline Major Dia. (nominal)	A Type of Spline Fit	E Overall Length		K Length		G Hub Diameter		H Shoulder Diameter		L Mounting Hole	Part Number
			inches	mm	inches	mm	inches	mm	inches	mm		
9C												
10	2.75"	StrSide	4.56	115.8	3.00	76.2	3.50	88.9	N/A	N/A	1/2" - 20 thd.	02064530
15	2.00"	Involute	3.50	88.9	2.39	60.6	3.25	82.5	N/A	N/A	1/2" - 20 thd.	02083443
15	2.00"	Involute	3.50	88.9	2.39	60.7	3.25	82.5	N/A	N/A	17/32" dia.	02064192
16	2.54"	AnglSide	4.50	114.3	3.38	85.9	3.25	82.5	3.32	84.3	17/32" dia.	02063922
17	2.25"	Involute	2.63	66.8	2.00	50.8	3.13	79.5	N/A	N/A	1/2" - 20 thd.	02016462
21	2.75"	Involute	4.19	106.4	3.28	83.3	3.75	95.3	3 grooves	N/A	1/2" - 20 thd.	02064145
21	2.75"	Involute	4.45	113.0	3.65	92.7	4.00	101.6	4.06	103.1	1/2" - 20 thd.	02064318
21	2.75"	Involute	5.75	146.0	3.59	91.2	3.50	88.9	3 grooves	N/A	1/2" - 20 thd.	02076899
22	2.88"	Involute	4.45	113.0	3.38	85.9	4.00	101.6	4.02	102.1	17/32" dia.	02079826
22	2.88"	Involute	6.04	153.4	3.70	94.0	4.00	101.6	4.02	102.1	1/2" - 20 thd.	02079824
22	2.98"	Involute	3.19	81.0	2.69	68.2	3.50	89.0	5.60	142.3	1/2" - 20 thd.	02084407
22	2.98"	Involute	4.53	115.1	3.41	86.6	3.75	95.3	4.06	103.1	1/2" - 20 thd.	02064504
27	2.34"	Involute	4.70	119.4	N/A	N/A	3.25	82.5	3.28	83.3	1/2" - 20 thd.	02063960
29	3.03"	Involute	4.50	114.3	3.06	77.8	4.00	101.6	4.50	114.3	1/2" - 20 thd.	02070435
36	2.34"	Involute	5.16	131.1	3.31	84.1	thread	N/A	4.13	104.9	1/2" - 20 thd.	02071017
40	2.63"	Involute	4.29	109.0	3.22	81.8	4.00	101.6	N/A	N/A	M12 X 1.75 thd.	02077099
40	2.63"	Involute	4.63	117.5	3.44	87.3	3.88	98.6	N/A	N/A	1/2" - 20 thd.	02075908
44	2.81"	Involute	4.45	113.0	3.38	85.7	4.00	101.6	4.02	102.1	17/32" dia.	02078652
44	2.81"	Involute	4.63	117.7	3.28	83.3	4.00	101.6	4.27	108.5	M12 X 1.75 thd.	02084715
46	2.94"	Involute	5.15	130.8	3.37	85.6	4.00	101.6	4.72	119.9	1/2" - 20 thd.	02077825
46	2.94"	Involute	5.15	130.8	3.37	85.6	4.00	101.6	4.72	119.9	1/2" - 20 thd.	02077821
46	2.94"	Involute	5.15	130.8	3.37	85.6	4.00	101.6	4.72	119.9	1/2" - 20 thd.	02084385
49	3.00"	Involute	6.04	153.4	2.94	74.7	4.00	101.6	N/A	N/A	1/2" - 20 thd.	02078595
	1 1/2" dia. hole	N/A	5.12	130.0	4.00	101.6	N/A	N/A	N/A	N/A	1/2" - 20 thd.	02070398

Data subject to change without notice.