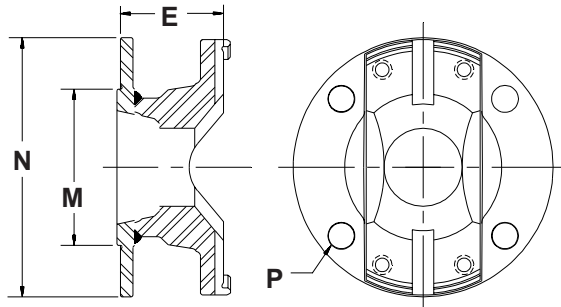


Genuine MECHANICS® Flange Yokes



	E Length		N Diameter		M Diameter		No. of Holes	P Hole Size		Part Number
	inches	mm	inches	mm	inches	mm		inches	mm	
	3C	1.75	44.4	2.75	69.8	2.518		63.96	4	
4C	1.18	30.0	4.56	115.9	2.749	69.83	4	.45 dia.	11.4 dia.	03067567
4C	1.81	46.0	4.56	115.9	2.749	69.82	4	.45 dia.	11.4 dia.	02072203
5C	1.88	47.6	4.56	115.8	2.749	69.83	4	.45 dia.	11.4 dia.	02064640
5C	2.00	50.8	6.19	157.2	N/A	N/A	none	N/A	N/A	02064644
6C	1.38	34.9	5.81	147.6	2.498	63.45	6	1/2 - 20 thd.	-	02075042
6C	2.25	57.1	5.81	147.6	3.749	95.22	4	.51 dia.	13.0 dia.	02074486
6C	2.25	57.1	6.88	174.6	6.624	168.25	8	.38 dia.	9.7 dia.	02072469
7C	1.56	39.7	8.00	203.2	7.748	196.80	8	.41 dia.	10.4 dia.	02064652
7C	2.00	50.8	5.57	141.5	3.748	95.20	4	.51 dia.	13.0 dia.	02078951
7C	2.56	65.1	8.12	206.2	N/A	N/A	none	N/A	N/A	03067591

Data subject to change without notice.