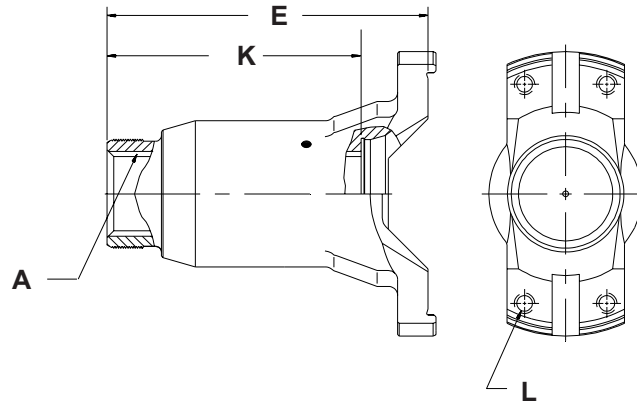


Genuine MECHANICS® Slip Yokes

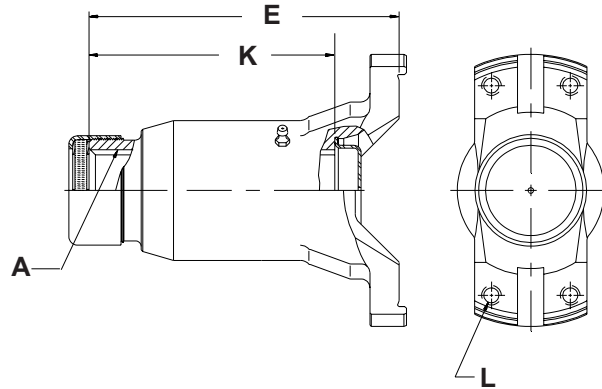


A No. of Teeth	A Spline Size	A Type of Spline Fit	E Overall Length		K Spline Length		L Mounting Thread or Hole Size	Part Number
			inches	mm	inches	mm		
11C 37* 37*	4.00"	Involute	11.50	292.1	9.00	228.6	M20 X 2.5 thd.	02079509
	4.00"	Involute	13.25	336.5	10.75	273.1	3/4" -16 thd.	02073554
12C 37* 37*	4.00"	Involute	13.75	349.3	9.00	228.6	M14 X 1.5 thd.	03080351
	4.00"	Involute	13.75	349.3	9.00	228.6	M14 X 2.0 thd.	03077007
15C 37* 37* 37*	4.00"	Involute	10.25	260.3	7.25	184.1	M20 X 2.5 thd.	02076480
	4.00"	Involute	13.75	349.3	10.75	273.1	3/4" -16 thd.	02073401
	4.00"	Involute	13.75	349.3	10.75	273.1	M20 X 2.5 thd.	02076782

Data subject to change without notice.

11C/12C/15C MECHANICS® Driveline Components

Genuine MECHANICS® Slip Yoke Assemblies*



**** Note:**
Most slip yoke assemblies include the slip yoke with a grease cup, stuffing cap and seals, and grease fitting installed.

Type of Fit	
Involute	Involute Spline

A No. of Teeth	A Spline Size	A Type of Spline Fit	E Overall Length		K Spline Length		L Mounting Thread or Hole Size	Slip Yoke Assembly Part Number*	Uses Slip Yoke (component) Part Number
			inches	mm	inches	mm			
11C 37*	4.00"	Involute	13.25	336.5	n/a	n/a	3/4" -16 thd.	03073552	02073554
12C 37*	4.00"	Involute	13.75	349.3	9.00	228.6	M14 X 1.5 thd.	03080351	03080350
	4.00"	Involute	13.75	349.3	9.00	228.6	M14 X 2.0 thd.	03077007	
15C 37*	4.00"	Involute	13.75	349.3	10.75	273.1	3/4" -16 thd.	03073395	02073401
	4.00"	Involute	13.75	349.3	10.75	273.1	3/4" -16 thd.	03073394	02073401
	4.00"	Involute	13.75	349.3	10.75	273.1	M20 X 2.5 thd.	03076783	02076782

Data subject to change without notice.

* 38T-1 tooth missing