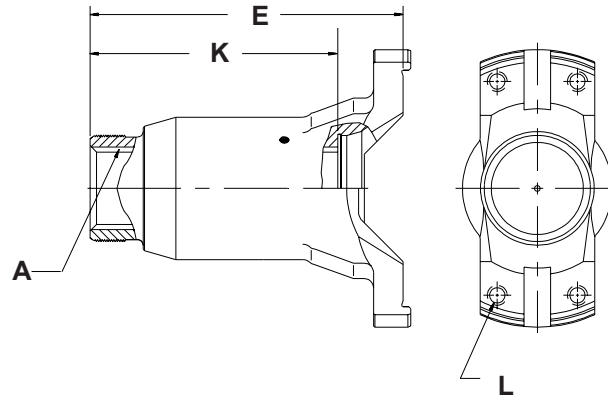


Genuine MECHANICS® Slip Yokes

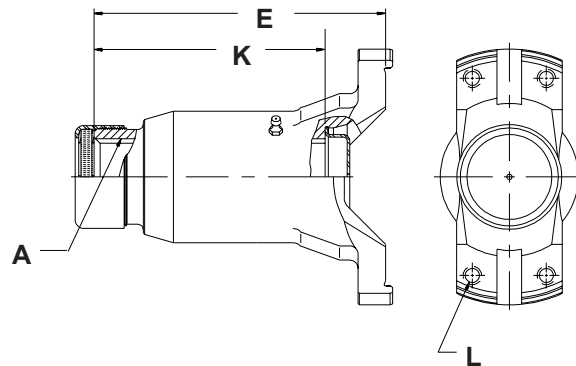


Type of Fit	
StrSide	Straight Side
Involute	Involute Spline

A No. of Teeth	A Spline Size	A Type of Spline Fit	E Overall Length		K Spline Length		L Mounting Thread or Hole Size	Part Number
			inches	mm	inches	mm		
10	2.00"	StrSide	3.00	76.2	N/A	N/A	1/2" - 20 thd.	02064829
10	2.00"	StrSide	7.06	179.3	5.75	146.0	1/2" - 20 thd.	02064735
10	2.00"	StrSide	7.06	179.3	5.75	146.0	15/32" dia.	02064681
15	2.00"	StrSide	7.12	180.8	6.00	152.4	1/2" - 20 thd.	02072736
16	2.00"	StrSide	3.50	88.9	2.13	54.0	1/2" - 20 thd.	02064867
16	2.00"	StrSide	4.62	117.3	3.37	85.6	1/2" - 20 thd.	02078423
16	2.00"	StrSide	5.00	127.0	3.84	97.5	1/2" - 20 thd.	02064853
16	2.00"	StrSide	5.12	130.0	3.87	98.3	1/2" - 20 thd.	02078425
16	2.00"	StrSide	5.12	130.0	3.87	98.3	M12 X 1.75 thd.	02079385
16	2.00"	StrSide	5.38	136.7	4.13	104.9	1/2" - 20 thd.	02078426
16	2.00"	StrSide	5.62	142.7	4.37	111.0	1/2" - 20 thd.	02078427
16	2.00"	StrSide	5.88	149.4	4.63	117.6	1/2" - 20 thd.	02078428
16	2.00"	StrSide	6.62	168.1	5.37	136.4	M12 X 1.75 thd.	02079377
16	2.00"	StrSide	7.12	180.8	5.87	149.1	1/2" - 20 thd.	02077358
16	2.00"	StrSide	7.12	180.8	5.87	149.1	1/2" - 20 thd.	02078430
16	2.00"	StrSide	7.12	180.8	5.87	149.1	M12 X 1.75 thd.	02079236
16	2.00"	StrSide	7.12	180.8	6.00	152.4	15/32" dia.	02064868
16	2.00"	StrSide	8.12	206.2	6.87	174.5	1/2" - 20 thd.	02078431
16	2.00"	StrSide	9.62	244.3	8.37	212.6	1/2" - 20 thd.	02077002
16	2.00"	StrSide	9.62	244.3	8.37	212.6	M12 X 1.75 thd.	02079452
16	2.00"	StrSide	10.62	269.7	9.00	228.6	1/2" - 20 thd.	02073265
16	2.50"	StrSide	2.66	67.6	N/A	N/A	1/2" - 20 thd.	02075926
16	2.50"	StrSide	2.94	74.7	N/A	N/A	1/2" - 20 thd.	02079747
20	1.75"	Involute	7.81	198.4	N/A	N/A	1/2" - 20 thd.	02064785
20	2.29"	AnglSide	5.38	136.5	3.69	93.7	M12 X 1.75 thd.	02082562
20	2.29"	AnglSide	5.88	149.2	4.19	106.4	1/2" - 20 thd.	02082525
20	2.29"	AnglSide	11.18	284.0	7.87	199.9	1/2" - 20 thd.	02083394
28	1.81"	Involute	7.81	198.4	N/A	N/A	1/2" - 20 thd.	02064823

Data subject to change without notice.

Genuine MECHANICS® Slip Yoke Assemblies*



* Note:
Most slip yoke assemblies include the slip yoke with a grease cup, stuffing cap and seals, and grease fitting installed.

Type of Fit	
Str Side	Straight Side

A No. of Teeth	A Spline Size	A Type of Spline Fit	E Overall Length		K Spline Length		L Mounting Thread or Hole Size	Slip Yoke Assembly Part Number*	Uses Slip Yoke (component) Part Number
			inches	mm	inches	mm			
10	2.00"	StrSide	3.00	76.2	N/A	N/A	1/2" - 20 thd.	03067814	02064829
10	2.00"	StrSide	7.06	179.3	5.75	146.0	1/2" - 20 thd.	03067797	02064735
10	2.00"	StrSide	7.06	179.3	5.75	146.0	15/32" dia.	03067788	02064681
16	2.00"	StrSide	3.50	88.9	2.13	54.0	1/2" - 20 thd.	03067847	02064867
16	2.00"	StrSide	4.62	117.3	N/A	N/A	1/2" - 20 thd.	03067824	02078423
16	2.00"	StrSide	5.12	130.0	3.87	98.3	1/2" - 20 thd.	03077735	02078425
16	2.00"	StrSide	5.38	136.7	4.13	104.9	1/2" - 20 thd.	03072790	02078426
16	2.00"	StrSide	5.88	149.4	4.63	117.6	1/2" - 20 thd.	03067819	02078428
16	2.00"	StrSide	7.12	180.8	5.87	149.1	1/2" - 20 thd.	03067820	02077358
16	2.00"	StrSide	7.12	180.8	5.87	149.1	1/2" - 20 thd.	03068066	02077358
16	2.00"	StrSide	7.12	180.8	5.87	149.1	1/2" - 20 thd.	03078582	02077358
16	2.00"	StrSide	7.12	180.8	5.87	149.1	1/2" - 20 thd.	03071285	02078430
16	2.00"	StrSide	7.12	180.8	5.87	149.1	M12 X 1.75 thd.	03079915	02079236
16	2.00"	StrSide	8.12	206.2	6.87	174.5	1/2" - 20 thd.	03071041	02078431
16	2.00"	StrSide	9.62	244.3	8.37	212.6	1/2" - 20 thd.	03076629	02077002
16	2.00"	StrSide	10.62	269.7	9.00	228.6	1/2" - 20 thd.	03073268	02073265
16	2.50"	StrSide	2.66	67.6	N/A	N/A	1/2" - 20 thd.	03075928	02075926

Data subject to change without notice.