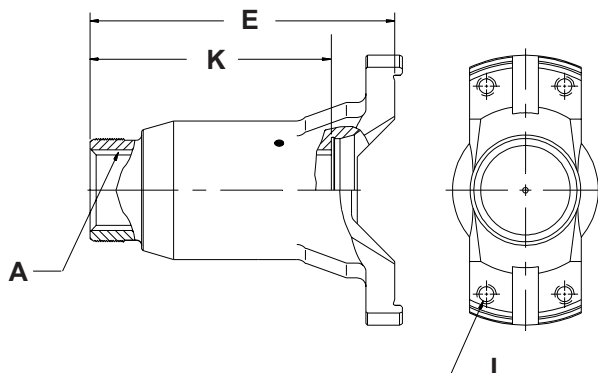


Genuine MECHANICS® Slip Yokes

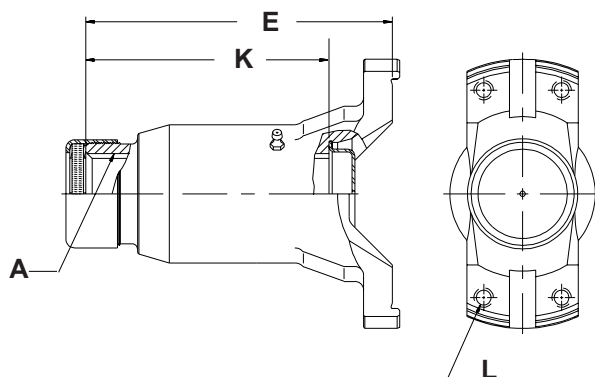


Type of Fit	
StrSide	Straight Side
AnglSide	Angle Side

A No. of Teeth	A Spline Size	A Type of Spline Fit	E Overall Length		K Spline Length		L Mounting Thread or Hole Size	Part Number
			inches	mm	inches	mm		
16	2.50"	StrSide	4.07	103.4	2.26	57.4	1/2" - 20 thd.	02080408
16	2.50"	StrSide	5.38	136.7	3.56	90.4	1/2" - 20 thd.	02064881
16	2.50"	StrSide	5.62	142.7	3.81	96.8	1/2" - 20 thd.	02074205
16	2.50"	StrSide	6.38	162.1	4.67	118.6	1/2" - 20 thd.	02076586
16	2.50"	StrSide	8.62	218.9	6.81	173.0	1/2" - 20 thd.	02064891
16	2.50"	StrSide	8.62	218.9	6.81	173.0	M12 X 1.5 thd.	02078484
16	2.50"	StrSide	8.62	218.9	6.81	173.0	M12 X 1.75 thd.	02084653
16	2.50"	StrSide	10.62	269.7	8.81	223.8	1/2" - 20 thd.	02077566
30	3.00"	AnglSide	7.13	181.0	5.38	136.7	1/2" - 20 thd.	02082673

Data subject to change without notice.

Genuine MECHANICS® Slip Yoke Assemblies*



Type of Fit	
Str Side	Straight Side

* Note:
Most slip yoke assemblies include the slip yoke with a grease cup, stuffing cap and seals, and grease fitting installed.

A No. of Teeth	A Spline Size	A Type of Spline Fit	E Overall Length		K Spline Length		L Mounting Thread or Hole Size	Slip Yoke Assembly Part Number*	Uses Slip Yoke (component) Part Number
			inches	mm	inches	mm			
16	2.50"	StrSide	5.38	136.7	3.56	90.4	1/2" - 20 thd.	03071718	02064881
16	2.50"	StrSide	8.62	218.9	6.81	173.0	1/2" - 20 thd.	03067843	02064891
16	2.50"	StrSide	8.62	218.9	6.81	173.0	1/2" - 20 thd.	03076295	02064891
16	2.50"	StrSide	10.62	269.7	8.81	223.8	1/2" - 20 thd.	03077569	02077566

Data subject to change without notice.