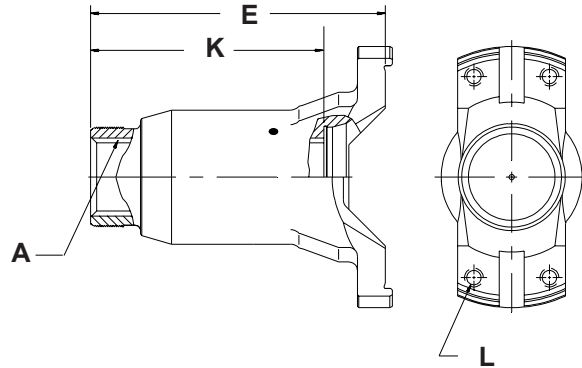


Genuine MECHANICS® Slip Yokes

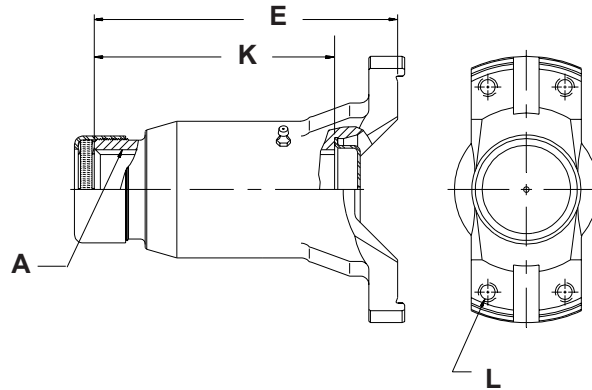


Type of Fit	
StrSide	Straight Side
AnglSide	Angle Side

A No. of Teeth	A Spline Size	A Type of Spline Fit	E Overall Length		K Spline Length		L Mounting Thread or Hole Size	Part Number
			inches	mm	inches	mm		
9C								
10	3.00"	StrSide	9.62	244.3	7.31	185.7	17/32" dia.	02064706
10	3.00"	StrSide	9.62	244.3	7.50	190.5	17/32" dia.	02064775
16	3.00"	StrSide	6.25	158.8	3.94	100.1	M12 X 1.75 thd.	02076252
16	3.00"	StrSide	7.62	193.5	5.31	134.9	1/2" - 20 thd.	02075654
16	3.00"	StrSide	8.62	218.9	6.31	160.3	1/2" - 20 thd.	02077152
16	3.00"	StrSide	9.62	244.3	7.31	185.7	1/2" - 20 thd.	02064827
16	3.00"	StrSide	9.62	244.3	7.31	185.7	1/2" - 20 thd.	02076147
16	3.00"	StrSide	9.62	244.3	7.31	185.7	17/32" dia.	02064837
16	3.00"	StrSide	9.69	246.1	7.38	187.5	1/2" - 20 thd.	02079920
16	3.00"	Str Side	11.00	279.4	8.44	214.4	1/2" - 20 thd.	03074186
16	3.00"	StrSide	11.62	295.1	9.31	236.5	M12 X 1.75 thd.	02080613
16	3.00"	StrSide	11.69	296.9	9.38	238.3	1/2" - 20 thd.	02080684
30	3.00"	AnglSide	6.00	152.4	3.94	100.1	1/2" - 20 thd.	02082717

Data subject to change without notice.

Genuine MECHANICS® Slip Yoke Assemblies*



* Note:
Most slip yoke assemblies include the slip yoke with a grease cup, stuffing cap and seals, and grease fitting installed.

Type of Fit	
Str Side	Straight Side

A No. of Teeth	A Spline Size	A Type of Spline Fit	E Overall Length		K Spline Length		L Mounting Thread or Hole Size	Slip Yoke Assembly Part Number*	Uses Slip Yoke (component) Part Number
			inches	mm	inches	mm			
9C									
10	3.00"	StrSide	9.62	244.3	7.31	185.7	17/32" dia.	03067844	02064706
10	3.00"	StrSide	9.62	244.3	7.50	190.5	17/32" dia.	03067846	02064775
16	3.00"	StrSide	7.62	193.5	5.31	134.9	1/2" - 20 thd.	03075664	02075654
16	3.00"	StrSide	9.62	244.3	7.31	185.7	1/2" - 20 thd.	03067847	02064827
16	3.00"	StrSide	9.69	246.1	7.38	187.5	1/2" - 20 thd.	03067847	02079920

Data subject to change without notice.