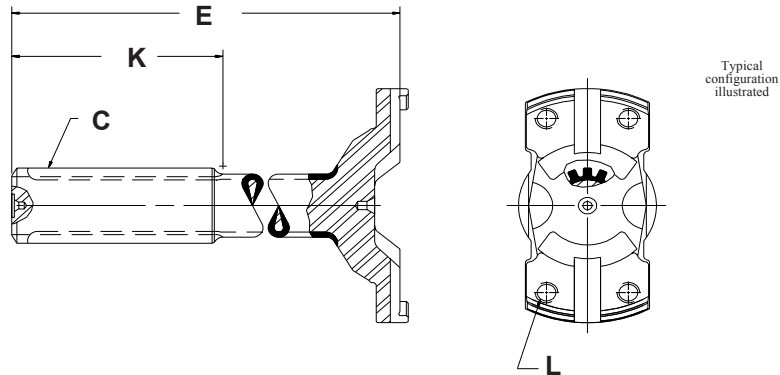


# 11C/12C/15C MECHANICS® Driveline Components

## Genuine MECHANICS® Necked Stub Yokes



C Splines Number of Teeth	C Splines Major Dia. (nominal)	C Type of Splines	E Overall Length		K Splines Length		L Mounting Thread or Hole Size	Part Number
			inches	mm	inches	mm		
<b>15C</b>								
37	3.90"	involute	13.38	339.9	4.00	101.6	M20 X 2.5 thd.	02076479
37	3.90"	involute	17.00	431.8	7.50	190.5	M20 X 2.5 thd.	02080495

Data subject to change without notice.

Contact Rockford Powertrain, Inc.  
 Phone: (815) 633-7460 • Fax: (815) 633-1311  
 email: mail@powertrn.com