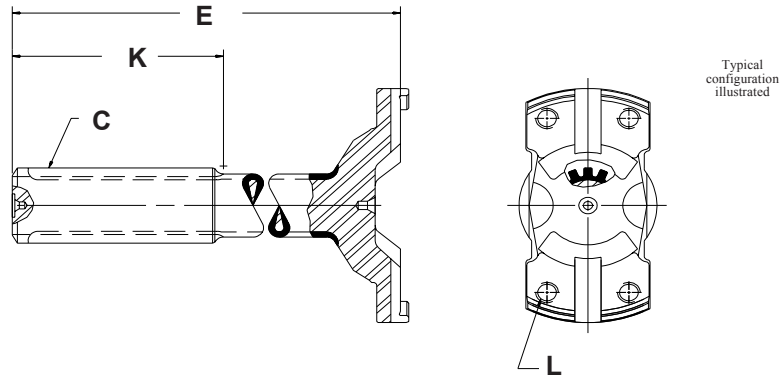


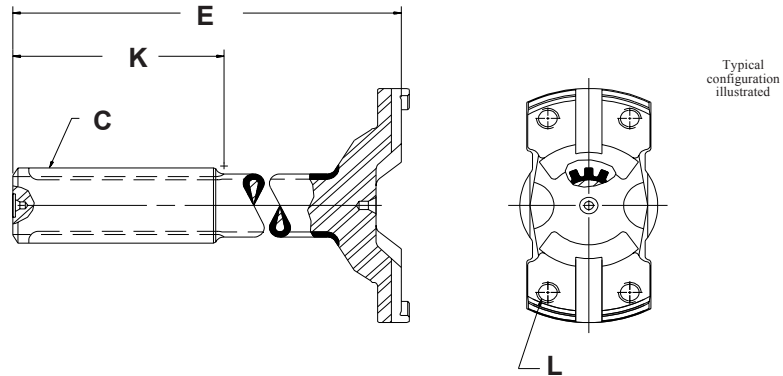
Genuine MECHANICS® Necked Stub Yokes



C Splines Number of Teeth	C Splines Major Dia. (nominal)	C Type of Spline	E Overall Length		K Splines Length		L Mounting Thread or Hole Size	Part Number
			inches	mm	inches	mm		
10	2"	StrSide	6.25	158.8	4.63	117.6	1/2" - 20 thd.	02065010
10	2"	StrSide	7.00	177.8	2.84	72.1	15/32" dia.	02064927
16	1.99"	involute	10.38	263.7	4.00	101.6	1/2" - 20 thd.	02080509
16	2 1/2"	StrSide	4.06	103.2	1.59	40.5	1/2" - 20 thd.	02075927
16	2 1/2"	StrSide	5.56	141.2	1.75	44.4	1/2" - 20 thd.	02079748
16	2"	StrSide	4.75	120.6	2.12	53.8	1/2" - 20 thd.	02078673
16	2"	StrSide	5.13	130.2	2.13	54.0	1/2" - 20 thd.	02065047
16	2"	StrSide	6.13	155.7	2.25	57.1	1/2" - 20 thd.	02077699
16	2"	StrSide	6.38	162.1	3.00	76.2	1/2" - 20 thd.	02080264
16	2"	StrSide	6.38	162.1	2.50	63.5	1/2" - 20 thd.	02070713
16	2"	StrSide	6.63	168.4	2.50	63.5	1/2" - 20 thd.	02065078
16	2"	StrSide	6.91	175.4	2.97	75.4	1/2" - 20 thd.	02080711
16	2"	StrSide	7.12	180.8	3.00	76.2	1/2" - 20 thd.	02065049
16	2"	StrSide	7.12	180.8	2.00	50.8	1/2" - 20 thd.	02080556
16	2"	StrSide	7.12	180.8	3.00	76.2	M12 X 1.75 thd.	02079384
16	2"	StrSide	7.12	180.8	2.50	63.5	1/2" - 20 thd.	02084617
16	2"	StrSide	7.62	193.5	2.75	69.8	1/2" - 20 thd.	02084391
16	2"	StrSide	7.62	193.5	2.75	69.8	1/2" - 20 thd.	02075686
16	2"	StrSide	7.88	200.2	3.25	82.5	1/2" - 20 thd.	02077163
16	2"	StrSide	8.62	218.9	4.00	101.6	M12 X 1.75 thd.	02079380
16	2"	StrSide	9.38	238.3	4.00	101.6	1/2" - 20 thd.	02065045
16	2"	StrSide	9.88	251.0	4.00	101.6	1/2" - 20 thd.	02078849
16	2"	StrSide	10.13	257.3	4.00	101.6	1/2" - 20 thd.	02072173
16	2"	StrSide	10.63	270.0	4.00	101.6	1/2" - 20 thd.	02065053
16	2"	StrSide	10.88	276.4	4.00	101.6	1/2" - 20 thd.	02065036
16	2"	StrSide	11.13	282.7	4.00	101.6	1/2" - 20 thd.	02080726
16	2"	StrSide	11.38	289.1	4.00	101.6	1/2" - 20 thd.	02065065
16	2"	StrSide	11.88	301.8	4.00	101.6	1/2" - 20 thd.	02079866
16	2"	StrSide	13.12	333.2	4.00	101.6	1/2" - 20 thd.	02074917

Data subject to change without notice.

Genuine MECHANICS® Necked Stub Yokes



C Spline Number of Teeth	C Spline Major Dia. (nominal)	C Type of Spline	E Overall Length		K Spline Length		L Mounting Thread or Hole Size	Part Number
			inches	mm	inches	mm		
16	2"	StrSide	15.38	390.7	4.00	101.6	1/2" - 20 thd.	02078628
16	2"	StrSide	16.63	422.4	4.00	101.6	1/2" - 20 thd.	02078631
16	2"	StrSide	16.88	428.8	4.00	101.6	1/2" - 20 thd.	02078632
16	2"	StrSide	18.62	472.9	4.00	101.6	1/2" - 20 thd.	02070494
16	2"	StrSide	19.12	485.6	4.00	101.6	1/2" - 20 thd.	02084467
16	2"	StrSide	19.69	500.1	4.00	101.6	1/2" - 20 thd.	02074244
16	2"	StrSide	22.38	568.5	4.00	101.6	1/2" - 20 thd.	02078848
16	2"	StrSide	23.44	595.4	4.00	101.6	1/2" - 20 thd.	02078850
25	1.61"	involute	5.00	127.0	2.69	68.3	1/2" - 20 thd.	02065013
26	2.25"	involute	6.38	161.9	3.25	82.5	1/2" - 20 thd.	02084709
26	2.25"	involute	8.38	212.7	5.00	127.0	M12 X 1.75 thd.	02084203
26	2.25"	involute	9.38	238.1	6.00	152.4	1/2" - 20 thd.	02083788
26	2.25"	involute	9.88	250.8	6.00	152.4	1/2" - 20 thd.	02083787
26	2.25"	involute	10.88	276.2	6.00	152.4	1/2" - 20 thd.	02083785
26	2.25"	involute	11.38	288.9	6.00	152.4	M12 X 1.75 thd.	02085276
31	2.00"	involute	6.53	165.9	1.88	47.6	M12 X 1.75 thd.	02085269

Data subject to change without notice.