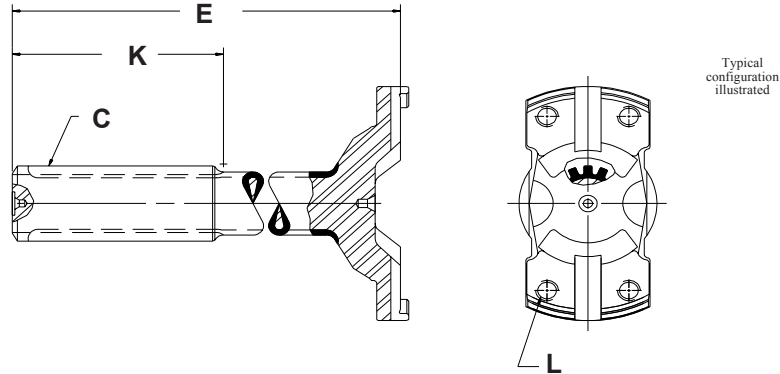


# 8.5C

## MECHANICS® Driveline Components

### Genuine MECHANICS® Necked Stub Yokes



C Spline Number of Teeth	C Spline Major Dia. (nominal)	C Type of Spline	E Overall Length		K Spline Length		L Mounting Thread or Hole Size	Part Number
			inches	mm	inches	mm		
16	2 1/2"	StrSide	5.63	142.9	2.00	50.8	1/2" - 20 thd.	02080407
16	2 1/2"	StrSide	7.62	193.5	2.75	69.8	1/2" - 20 thd.	02078681
16	2 1/2"	StrSide	7.63	193.8	2.75	69.8	1/2" - 20 thd.	02065054
16	2 1/2"	StrSide	7.88	200.2	2.75	69.8	1/2" - 20 thd.	02074202
16	2 1/2"	StrSide	8.63	219.2	3.25	82.5	1/2" - 20 thd.	02074647
16	2 1/2"	StrSide	10.38	263.7	4.00	101.6	1/2" - 20 thd.	02076294
16	2 1/2"	StrSide	11.38	288.9	4.50	114.3	1/2" - 20 thd.	02083302
16	2 1/2"	StrSide	12.88	327.2	4.50	114.3	1/2" - 20 thd.	02073852
16	2 1/2"	StrSide	13.38	339.9	4.50	114.3	1/2" - 20 thd.	02077382
34	1.75"	Side	19.95	506.7	3.28	83.4	1/2" - 20 thd.	02082963
34	1.75"	Side	21.95	557.5	2.12	53.8	1/2" - 20 thd.	02078164
34	1.75"	Side	31.50	800.1	2.12	53.8	1/2" - 20 thd.	02078165
34	1.75"	Side	41.05	1042.7	3.00	76.2	1/2" - 20 thd.	02078163
34	1.75"	Side	43.05	1093.5	3.28	83.4	1/2" - 20 thd.	02082962
35	3.00"	involute	10.75	273.1	6.50	165.1	1/2" - 20 thd.	02083606
35	3.00"	involute	12.75	323.8	6.50	165.1	1/2" - 20 thd.	02083601
36	1.85"	Side	13.84	351.4	3.18	80.6	1/2" - 20 thd.	02078162
36	1.85"	Side	31.50	800.1	2.12	53.8	1/2" - 20 thd.	02078166

Data subject to change without notice.