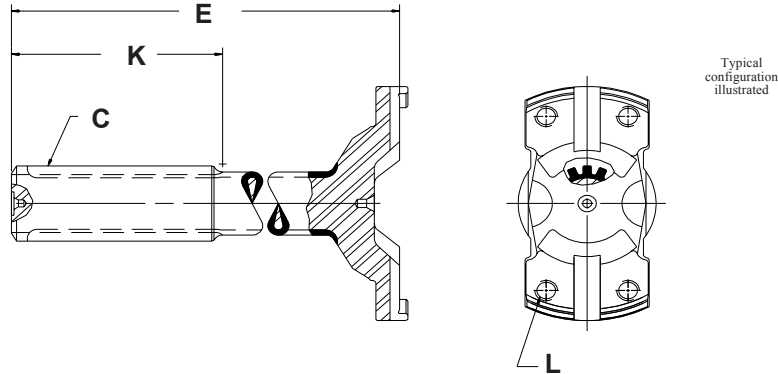


Genuine MECHANICS® Necked Stub Yokes



C Spline Number of Teeth	C Spline Major Dia. (nominal)	C Type of Spline	E Overall Length		K Spline Length		L Mounting Thread or Hole Size	Part Number
			inches	mm	inches	mm		
9C								
16	3"	StrSide	8.12	206.2	3.50	88.9	M12 X 1.5 thd.	02076253
16	3"	StrSide	9.25	234.9	4.15	105.4	1/2" - 20 thd.	02075653
16	3"	StrSide	10.75	273.1	5.38	136.7	1/2" - 20 thd.	02077128
16	3"	StrSide	12.75	323.8	5.38	136.7	1/2" - 20 thd.	02065066
16	3"	StrSide	14.25	361.9	5.38	136.5	1/2" - 20 thd.	02073109
16	3"	StrSide	15.25	387.3	5.38	136.7	1/2" - 20 thd.	02076056
16	3"	StrSide	18.75	476.3	5.43	137.9	1/2" - 20 thd.	02078938
16	3"	StrSide	24.75	628.6	6.43	163.3	M12 X 1.75 thd.	02077277
20	2.59"	involute	10.17	258.3	3.64	92.5	1/2" - 20 thd.	02084406

Data subject to change without notice.