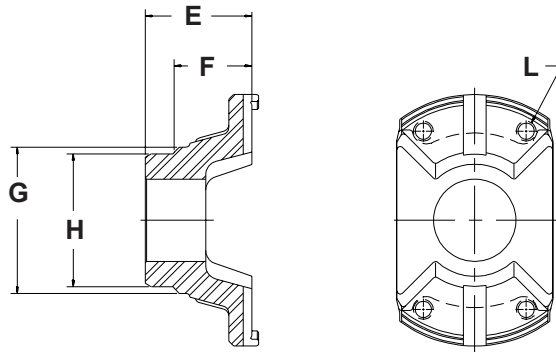


11C/12C/15C MECHANICS® Driveline Components

Genuine MECHANICS® Weld Yokes



H Tube Pilot		G Shoulder Diameter		F Length		E Overall Length		L Mounting Holes	Part Number
inches	mm	inches	mm	inches	mm	inches	mm		
11C									
5.76	146.3	6.50	165.1	3.50	88.9	4.50	114.3	3/4" - 16 thd.	02080277
5.76	146.4	6.50	165.1	3.50	88.9	4.50	114.3	3/4" - 16 thd.	02076181
12C									
5.76	146.3	6.50	165.1	3.89	98.7	4.00	101.6	M14 X 2.0 thd.	02076951
5.76	146.3	6.50	165.1	3.90	99.0	4.00	101.6	M14 X 1.5	02080349
5.76	146.3	6.50	165.1	4.00	101.6	5.00	127.0	M14 X 1.5	02080348
5.76	146.4	6.50	165.1	4.00	101.6	5.00	127.0	M14 X 2.0 thd.	02076954
15C									
5.51	140.0	6.50	165.1	4.00	101.6	5.00	127.0	3/4" - 16 thd.	02077796
6.50	165.1	5.76	146.3	4.00	101.6	5.00	127.0	3/4" - 16 thd.	02076185
6.50	165.1	5.76	146.3	4.00	101.6	5.00	127.0	M20 X 2.5	02078686
7.25	184.1	9.95	252.7	3.50	88.9	5.25	133.3	M20 X 2.5	02084128

Data subject to change without notice.