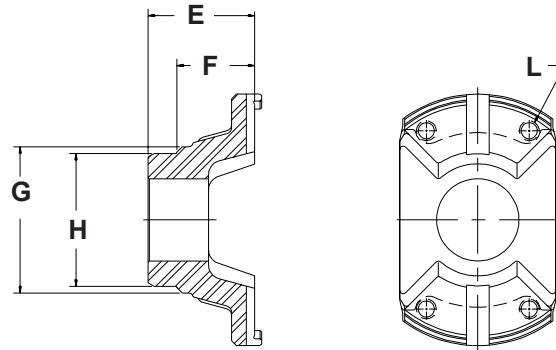


Genuine MECHANICS® Weld Yokes



H Tube Pilot		G Shoulder Diameter		F Length		E Overall Length		L Mounting Holes	Part Number
inches	mm	inches	mm	inches	mm	inches	mm		
2.90	73.7	3.00	76.2	2.88	73.2	3.66	93.0	1/2" - 20 thd.	02077165
3.00	76.2	2.77	70.4	2.13	54.1	3.03	77.0	15/32" dia.	02065124
3.00	76.2	3.00	76.2	2.38	60.5	2.88	73.0	1/2" - 20 thd.	02075127
3.00	76.2	4.09	103.9	2.19	55.6	2.50	63.5	M12 X 1.75 thd.	02083367
3.13	79.5	3.50	88.9	2.20	55.9	2.81	71.4	none	02065377
3.23	82.0	4.09	103.9	1.44	36.6	1.88	47.8	1/2" - 20 thd.	02080567
3.27	83.0	3.35	85.1	2.00	50.8	2.72	69.1	M12 X 1.75 thd.	02080537
3.27	83.1	3.50	88.9	2.12	53.8	2.75	69.8	15/32" dia.	02065186
3.27	83.1	3.50	88.9	2.12	53.8	2.75	69.8	M12 X 1.75 thd.	02079241
3.27	83.1	3.50	88.9	2.12	53.8	2.75	69.8	1/2" - 20 thd.	02065230
3.32	84.3	3.50	88.9	2.12	53.8	2.75	69.8	15/32" dia.	02065172
3.32	84.3	4.09	103.9	1.88	47.8	2.32	58.9	1/2" - 20 thd.	02083389
3.50	88.9	3.96	100.6	2.00	50.8	2.72	69.1	1/2" - 20 thd.	02080641
3.50	88.9	4.09	103.9	1.63	41.4	2.22	56.4	M12 X 1.75 thd.	02084837
3.50	88.9	4.09	103.9	2.13	54.0	2.72	69.1	1/2" - 20 thd.	02065290
3.50	88.9	N/A	N/A	1.25	31.8	1.75	44.4	1/2" - 20 thd.	02065195
3.50	88.9	N/A	N/A	1.56	39.6	2.06	52.3	15/32" dia.	02065352
3.50	88.9	N/A	N/A	1.56	39.6	2.06	52.3	1/2" - 20 thd.	02065405
4.09	103.9	3.00	76.2	2.50	63.5	3.00	76.2	1/2" - 20 thd.	02075128

Data subject to change without notice.