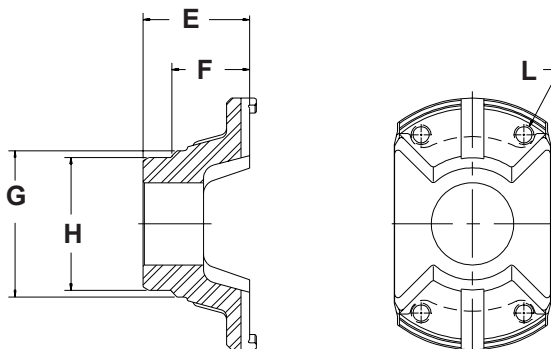


Genuine MECHANICS® Weld Yokes



H Tube Pilot		G Shoulder Diameter		F Length		E Overall Length		L Mounting Holes	Part Number
inches	mm	inches	mm	inches	mm	inches	mm		
3.64	92.3	3.71	94.2	2.13	54.0	2.88	73.2	1/2" - 20 thd.	02074020
3.64	92.3	4.00	101.6	2.12	53.8	2.88	73.2	1/2" - 20 thd.	02080630
3.64	92.3	4.00	101.6	2.12	53.8	2.88	73.2	M12 X 1.75 thd.	02080400
3.64	92.3	4.00	101.6	2.12	53.8	2.88	73.2	M12 X 1.5	02078485
3.64	92.3	4.00	101.6	2.13	54.1	2.88	73.2	1/2" - 20 thd.	02083316
3.64	92.3	4.00	101.6	2.25	57.1	3.12	79.2	1/2" - 20 thd.	02065294
3.82	97.0	4.00	101.6	2.75	69.8	3.38	85.7	M12 X 1.75 thd.	02080897
4.00	101.6	3.82	97.0	2.75	69.8	3.38	85.7	1/2" - 20 thd.	02080778
4.00	101.6	4.00	101.6	2.25	57.1	2.75	69.8	1/2" - 20 thd.	02085062
4.00	101.6	4.00	101.6	2.25	57.1	2.75	69.8	1/2" - 20 thd.	02071707

Data subject to change without notice.